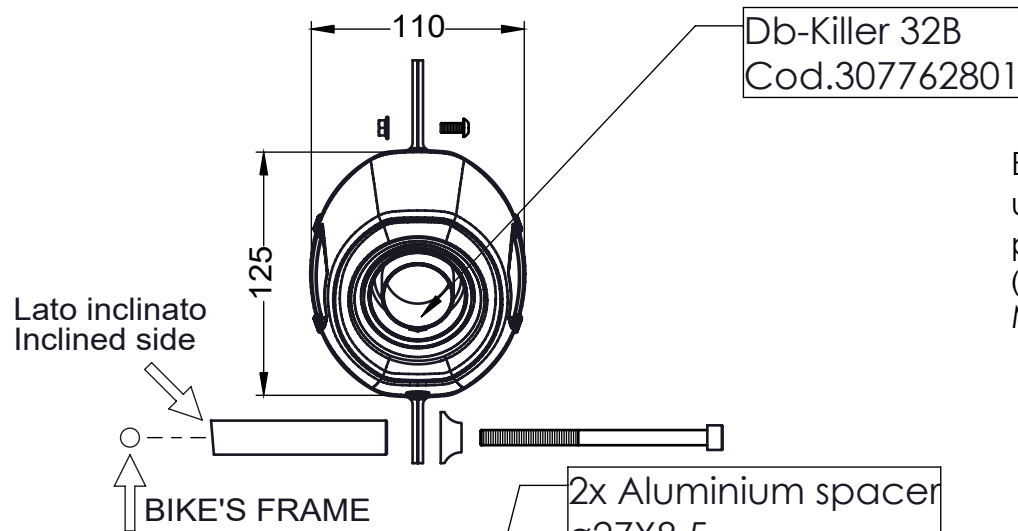


VISTA DA "A"

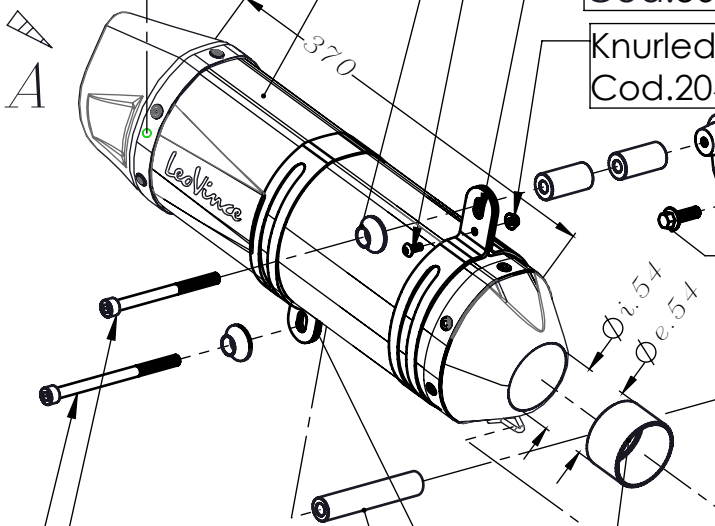


By-packed components to be used only on motorcycles not provided with Lambda Probe:  
(GILERA NEXUS 500 '03/'05)  
M18x1.5 h.9 cod.204888

LV ONE EVO silencer  
Øi 54X370 RHS  
Cod.308488481

SGI e13 0235 9

A

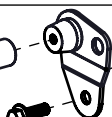


2x Aluminium spacer  
Ø27X8,5  
Cod. 204321

Allen screw M5X12  
T.B.E.I.  
Cod.201031

Carbon clamp FB5AS  
Cod.308562501

Knurled collar nut M5  
Cod.204407



BIKE'S FRAME

Screw M8X25  
Cod.200295

Db-Killer N.57  
Cod.308078804

Pipe N°530 s.s  
cod. 307930202

Gasket  
cod. 202185

Allen screw M8X100  
T.C.Z.B.  
Cod.200626

Allen screw M8X120  
T.C.Z.B.  
Cod.204513

Aluminium spacer  
Ø 18X Ø 9 h.93/91.5  
Cod. 205914

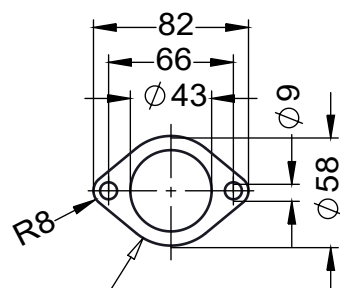
Bushing  
cod.205359

Short helical  
spring tensile  
cod. 303949001

Carbon clamp FB1S  
Cod.306960505

Gasket Ø49 Ø36.5 h.4.5  
cod. 201291

VISTA DA "B"  
Flangia "23B"



S.s bracket  
cod. 307930501

sp.6

B

**ART. 8488E**

GILERA NEXUS 500 / GILERA NEXUS 500 i.e.

FULL SYSTEM - LV ONE EVO - STAINLESS STEEL - APPROVED