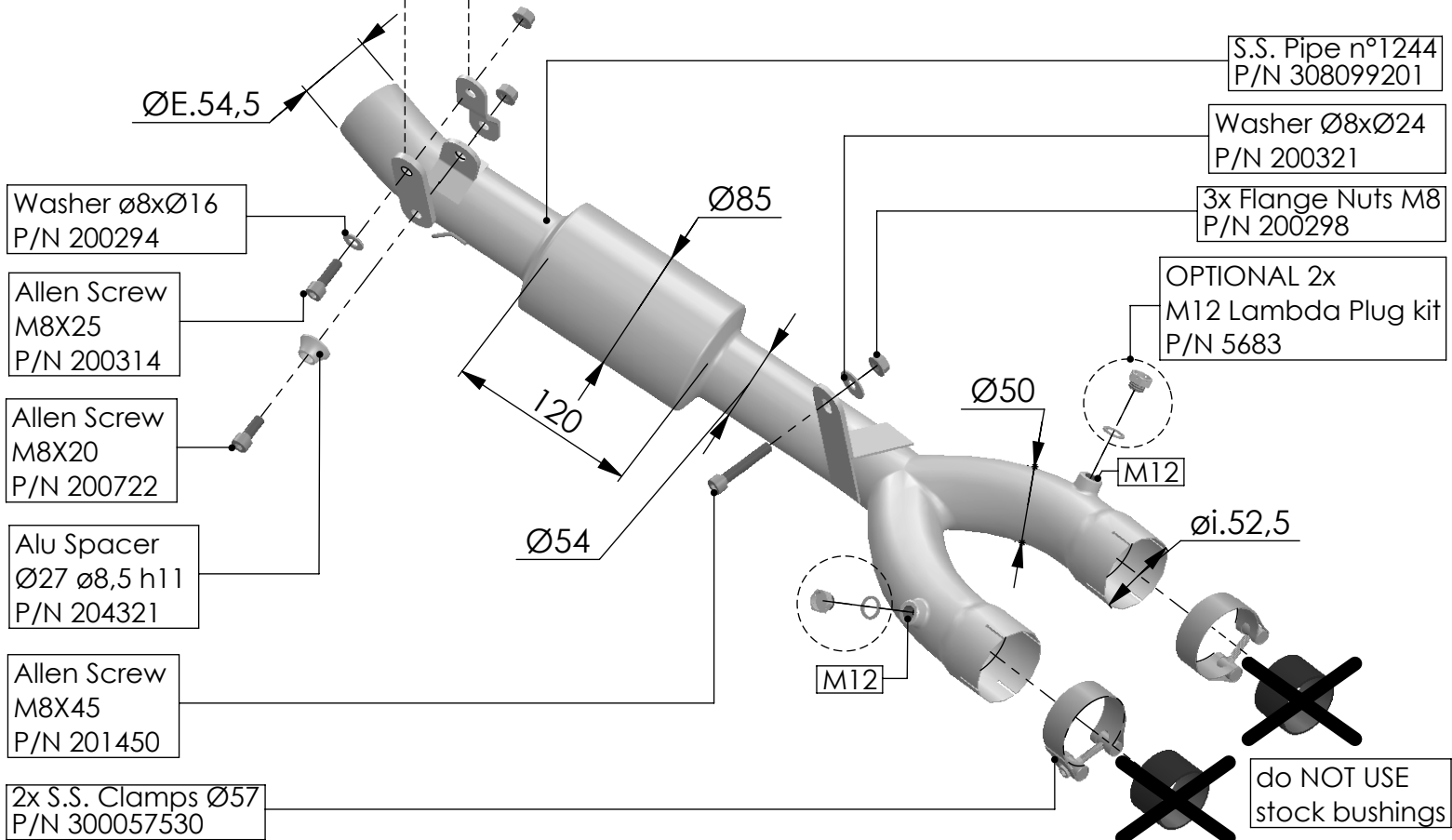


ATTENTION!  
USE WITH MODELS  
2016>2020 TYPE RN45  
S.S. Bracket  
P/N 308099501

ATTENTION!  
USE WITH MODELS  
2021> TYPE RN78  
S.S. Bracket  
P/N 088099004



- Disconnect the control cables from the exhaust valve on the actuator side; by removing the original link pipe with the catalytic converter, also the valve connected to the link pipe and the cables are removed. The valve's servo motor should not be removed or disconnected.

### WARNING

- Fitting the kat eliminator it is advisable to optimize the carburation by remapping the stock ECU or by adopting an additional ECU unit.

**ART. 8099**

**YAMAHA MT-10 / FZ-10 / SP**

Compatible with LeoVince exhaust

15203-15203B-15203C-15203T-15405B-15405C-15405T ONLY

**CAT ELIMINATOR - STAINLESS STEEL**