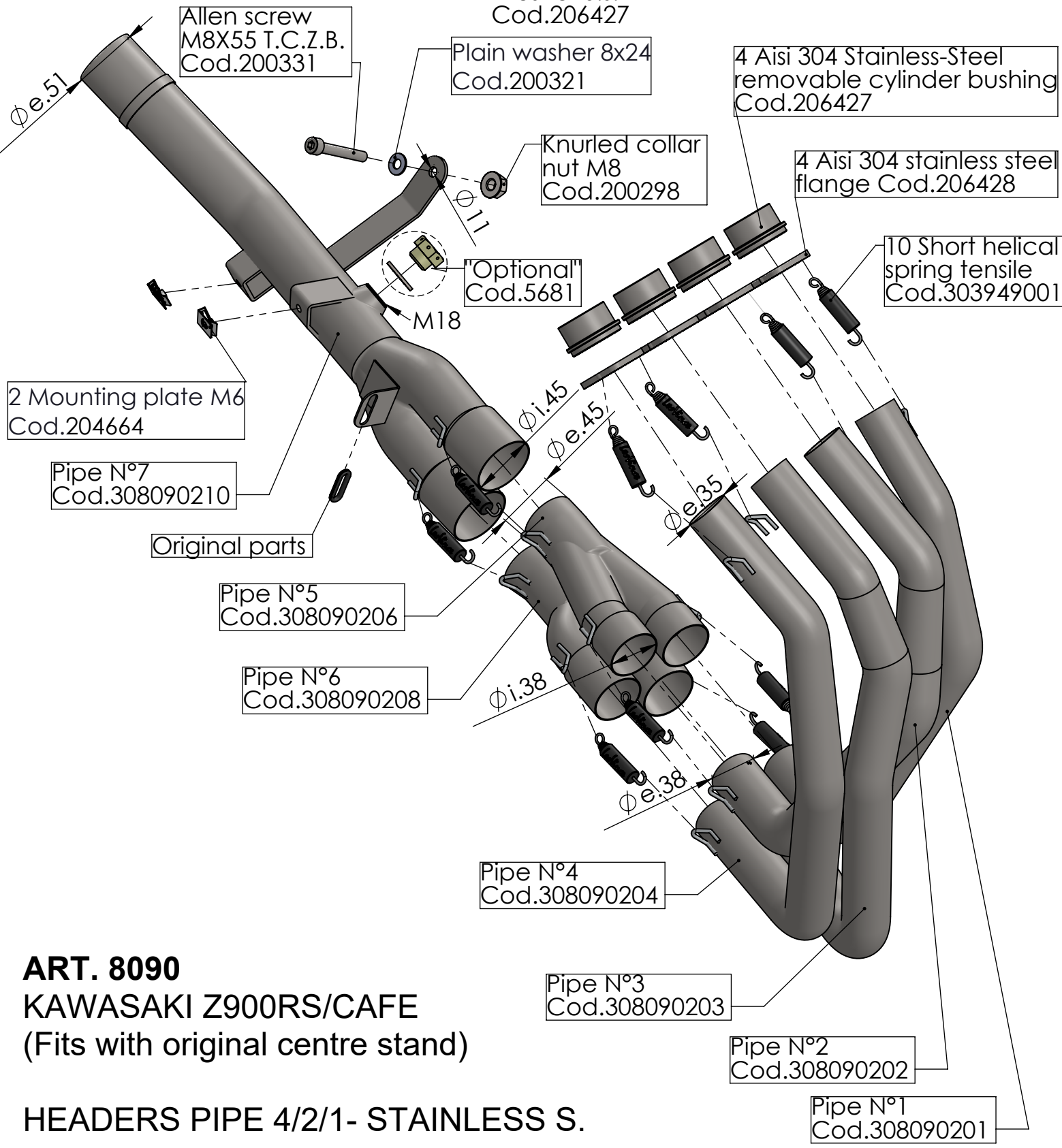


**Notice:**  
the original heat shield can be fitted back in position



**ART. 8090**  
**KAWASAKI Z900RS/CAFE**  
(Fits with original centre stand)

**HEADERS PIPE 4/2/1- STAINLESS S.**

- Fitting this exhaust system it is advisable to optimize the carburation by remapping the stock ECU or by adopting an additional ECU unit.
- The link pipe can be fitted both with the stock exhaust and the LeoVince slip-on Art.15119-15216-15216B.