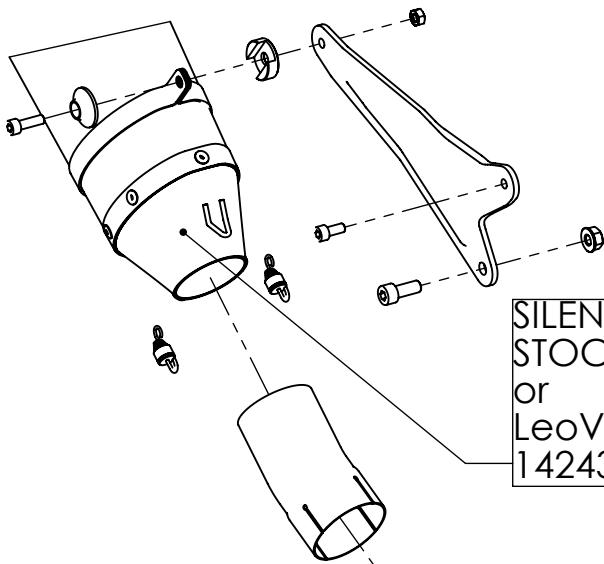
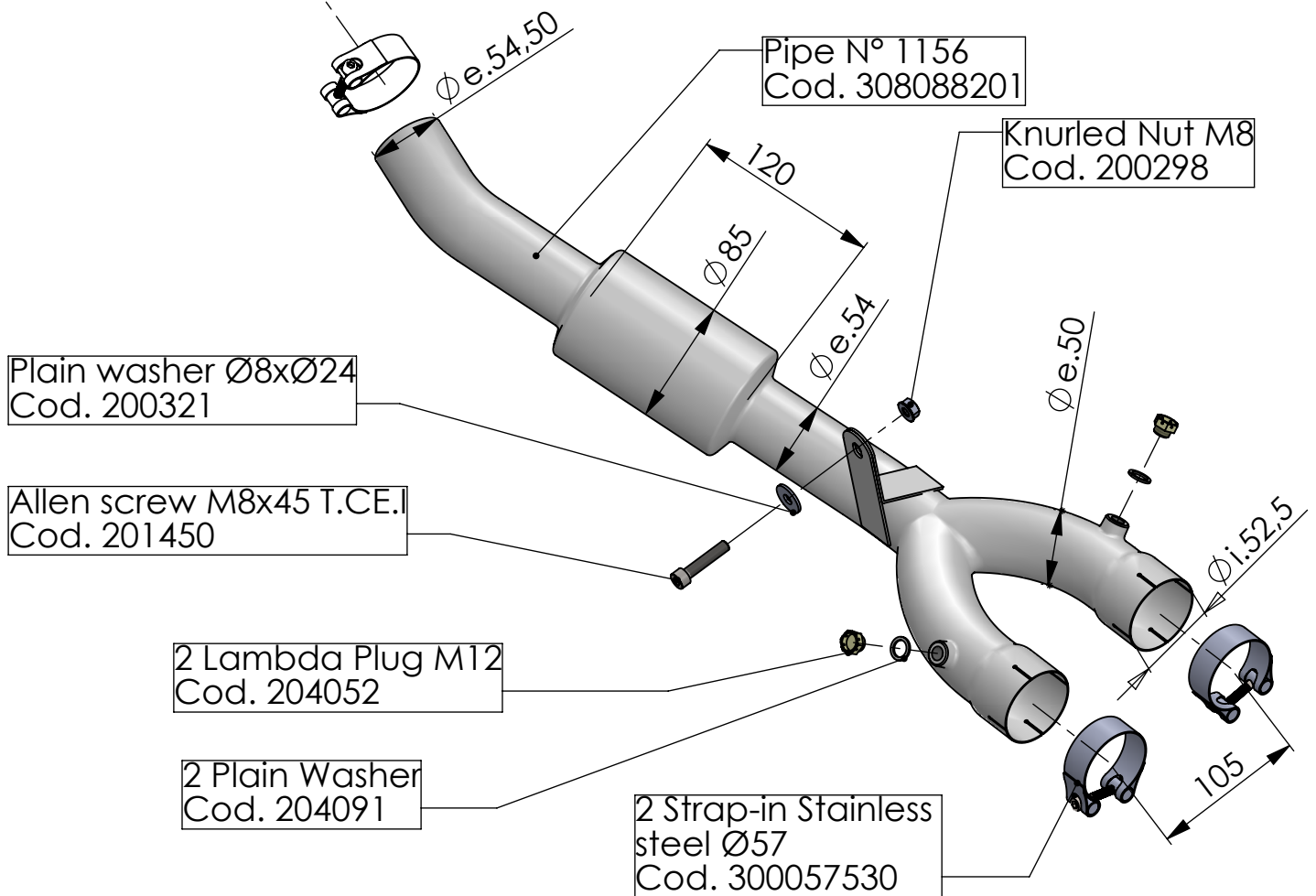


WARNING:

not compatible with LeoVince LV10
Art. 15201-15201B-15201T-15201C



SILENZIATORE ORIGINALE
STOCK SILENCER
or
LeoVince SILENCERS Art.14119S-14120S
14243S-14243ST-14244S



ART. 8088 YAMAHA YZF - R1 / M

**Collettore INOX / Stainless steel header pipe
per l'eliminazione del catalizzatore originale / kat eliminator link pipe**

- Disconnect the control cables from the exhaust valve on the actuator side;
by removing the original link pipe with the catalytic converter,
also the valve connected to the link pipe and the cables are removed.
The valve's servo motor should not be removed or disconnected.
- Fitting this exhaust system it is advisable to optimize the carburation by remapping
the stock ECU or by adopting an additional ECU unit.
- The link pipe can be fitted both with the stock exhaust and the
LeoVince slip-on 14119S, 14120S, 14243S, 14243ST, 14244S