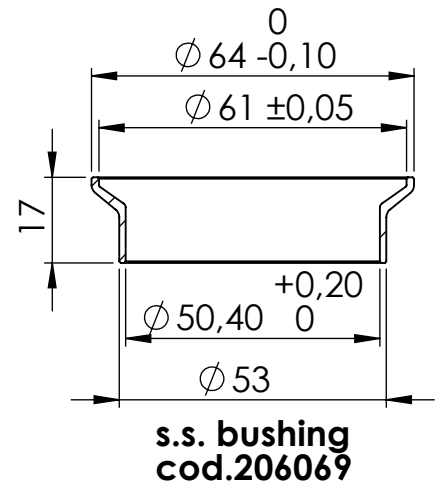


OPTIONAL  
Lambda Plug  
P/N 204888

OPTIONAL  
Lambda Gasket  
P/N 202185

M18x1,5



s.s. bushing  
cod.206069

Use the screw M8x40  
P/N 200993 to clamp  
the original strap in  
stainless steel, if necessary.

Flange Nut M8  
P/N 200298

Plain Washer  
 $\phi 8 \times \phi 24$   
P/N 200321

Allen Screw  
M8X35  
Cod.200319

S.S. Pipe N°1482  
P/N 3080046201

**WARNING**

it is advisable to optimize the carburation by remapping the stock ECU or by adopting an additional ECU unit.

2x S.S. Bushing Welded  
P/N 206079

**ART. 80046**

CFMOTO 800MT SPORT/TOURING - HUSQVARNA NORDEN 901 - KTM 790 ADVENTURE / R - 890 ADVENTURE/L(A2)/R/RALLY - KTM 890 SMT (also fits 35kW version)

CAT ELIMINATOR - COMPATIBLE WITH STOCK SILENCER AND LEOVINCE SLIP-ON ART 14328E - 14063 - 14414E - 14414EB - 14414EU - 14414EBU