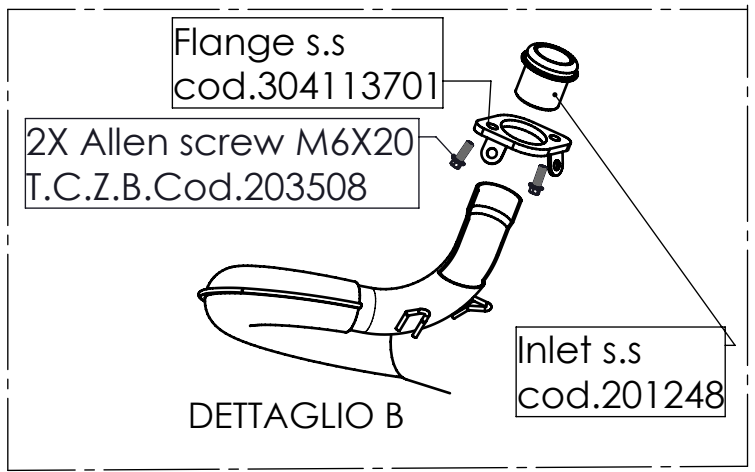


Flange 57E
cod. 304113701

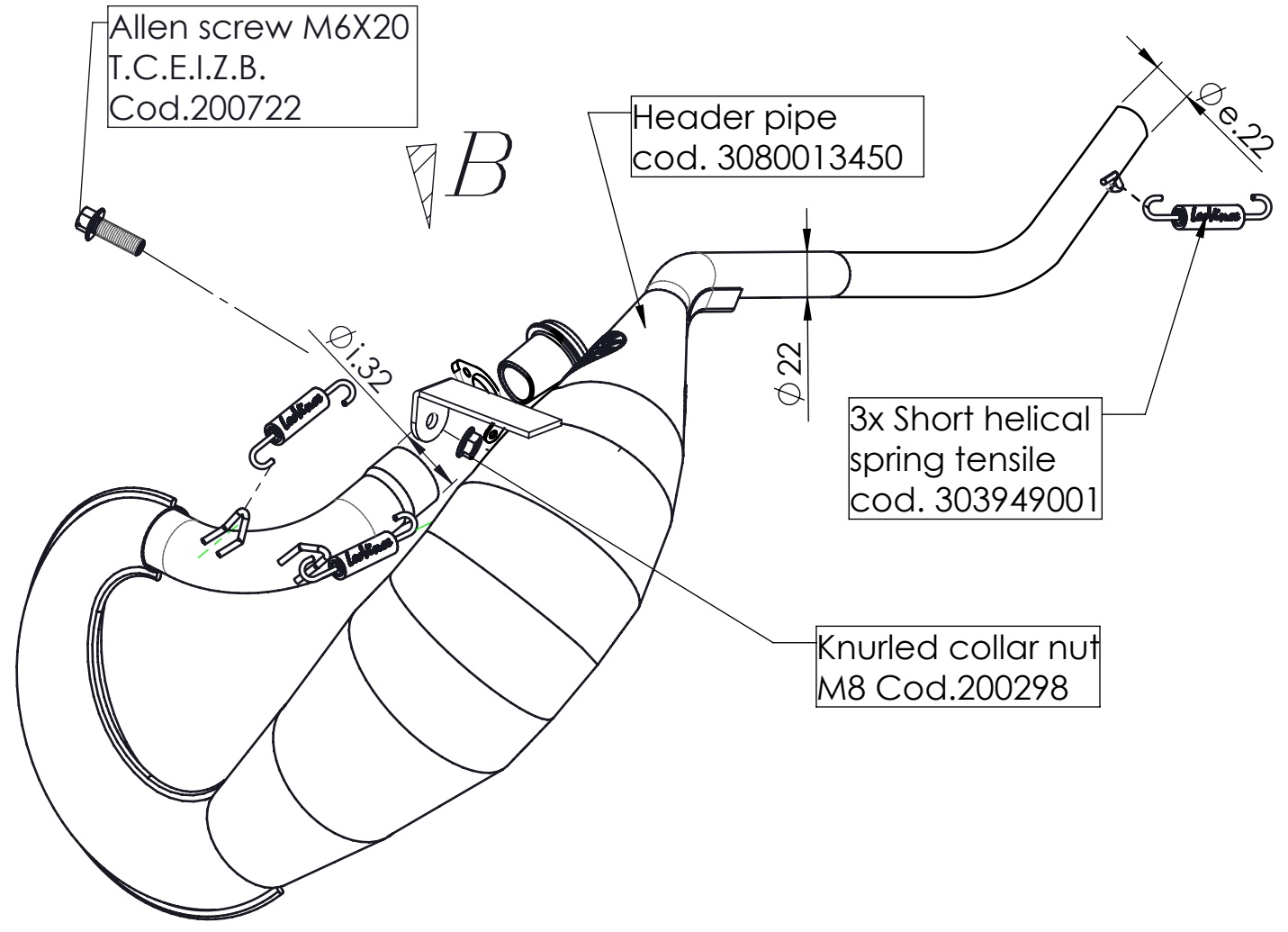


Flange s.s
cod.304113701

2X Allen screw M6X20
T.C.Z.B.Cod.203508

Inlet s.s
cod.201248

DETTAGLIO B



Allen screw M6X20
T.C.E.I.Z.B.
Cod.200722

B

Header pipe
cod. 3080013450

3x Short helical
spring tensile
cod. 303949001

Knurled collar nut
M8 Cod.200298

WARNING
it is advisable to optimize the carburation by remapping

ART. 80013

DERBY SENDA SM X-TREME / RACING / LIMITED / X-TREME R
APRILIA SX 50/FACTORY - RX 50/FACTORY
(Compatible with LeoVince exhaust only ART.17001)
(DOES NOT FIT WITH STOCK SILENCER)

HEADER PIPE - STEEL