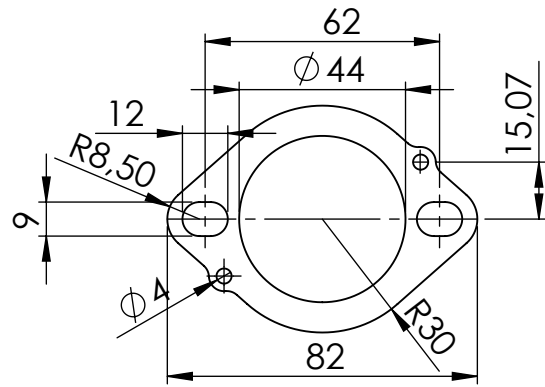


Bushing
cod. 204833



Flange sp. 5mm
cod.204569

4X Short helical spring
tensile
Cod.303949001

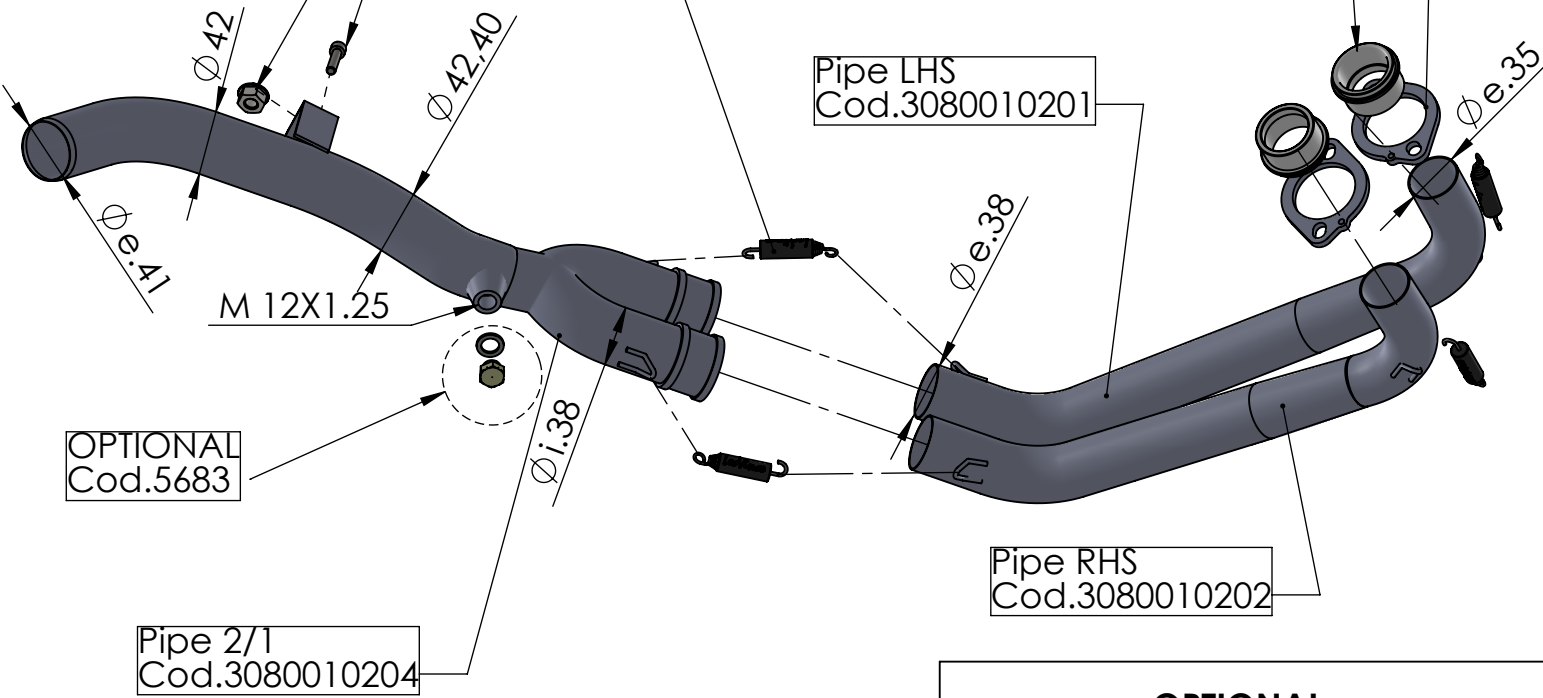
2x Aisi 304 stainless steel flange
cod. 204569

ORIGINAL SCREW

2x Aisi 304 Stainless-Steel
removable cylinder bushing
cod. 204833

Knurled collar nut
M8 Cod.200298

Pipe LHS
Cod.3080010201



OPTIONAL
Cod.5683

Pipe RHS
Cod.3080010202

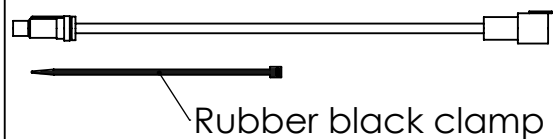
Pipe 2/1
Cod.3080010204

WARNING

it is advisable to optimize the carburation by remapping the stock ECU or by adopting an additional ECU unit.

OPTIONAL

Fitment on Euro 5 model requires optional lambda wire extension harness ART.208008R



ART. 80010

YAMAHA TÉNÉRÉ 700

(COMPATIBLE WITH ORIGINAL AND LEOVINCE EXHAUST ART.14330E-14330EB)
(fits with original panniers, skid plate, engine guard and centre stand)
(Fits with original panniers) (Also fits 35kW version)

HEADER PIPE 2/1 - STAINLESS STEEL