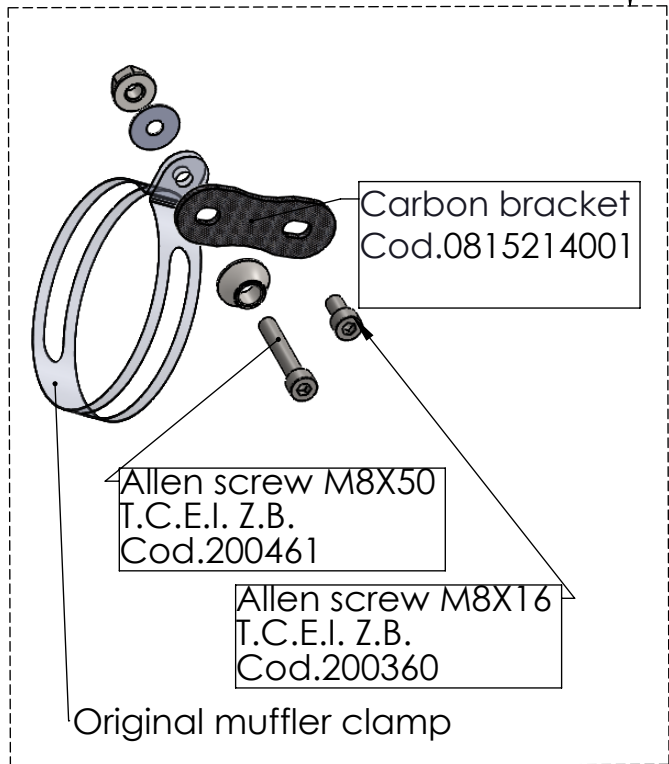
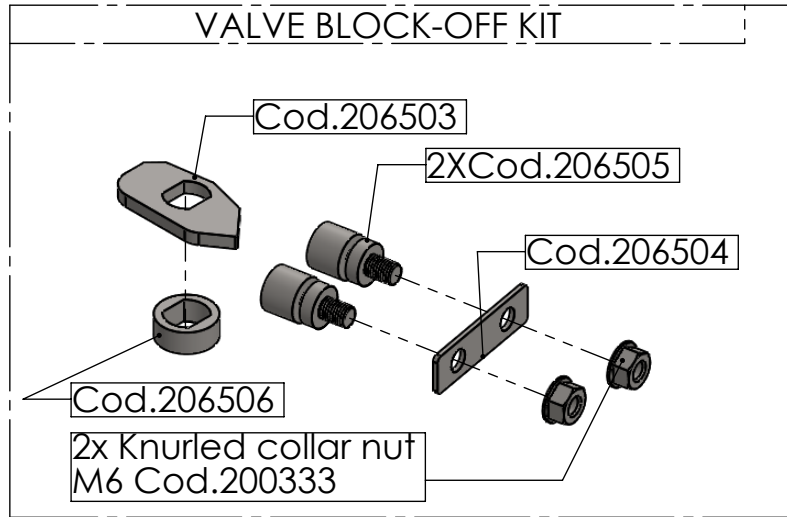


**WARNING**  
FOR MY 2014-2016 WITH OEM SILENCER,  
USE FOLLOWING HARDWARE: CARBON  
BRACKET, PLAIN WASHER, NUT, SPACER,  
2 SCREWS.



**ART. 80000 KTM 1290 SUPERDUKE / R**  
Collettore INOX / Stainless steel header pipe  
per l'eliminazione del catalizzatore originale / kat eliminator link pipe

- Disconnect the control cables from the exhaust valve on the actuator side; by removing the original link pipe with the catalytic converter, also the valve connected to the link pipe and the cables are removed. The valve's servo motor should not be removed or disconnected.

**WARNING**

- Fitting the cat eliminator it is advisable to optimize the carburation by remapping the stock ECU or by adopting an additional ECU unit.