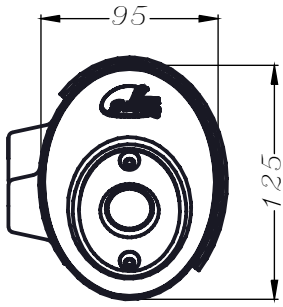
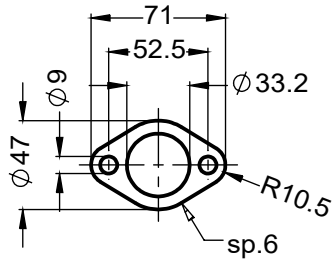


Vista da "A"



Vista da "B"
Flangia "43T" cod.206635



3x allen screw
M10x1.25 h 30
Cod.406393

3 Plain washer ϕ 10x ϕ 20
Cod.203518

3 grower ϕ 10
Cod.200349

3 Plain washer ϕ 8x ϕ 24
Cod.200321

3x grower ϕ 8x14
Cod.200361

3x allen screw
M8 x 30
Cod.203335

Bracket S.s
Cod.304108502

Knurled collar nut
M8 Cod.200298

Gasket
 ϕ e.33 ϕ i.26.1 h.4
Cod.201525

welded bushing titanium
cod.206634

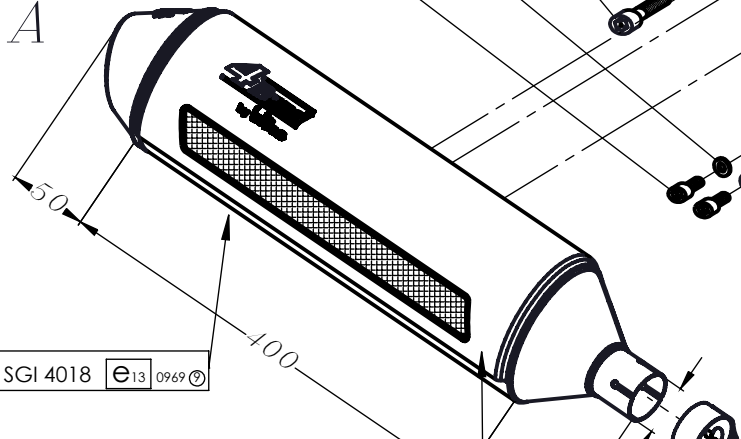
Bracket iron
Cod.304108503

MOTORCYCLE STAND RUBBER

2x Plain washer
 ϕ 8x ϕ 17
Cod.200294

2x allen screw
M8x16
Cod.200360

A



4Road silencer
Stainless s. ϕ i 40 RHS
Cod.304018403

Strap in stainless
steel ϕ 43
Cod.300043530

By-packed components to be used
only on motorcycles not provided with
Lambda Probe: Plug M18x1.5 h.9- Gasket

Pipe N°1315 titanium
Cod.307419203

Flange titanium
Cod.206635

B

ART. 7419CT

HONDA SH 125i / 150i

FULL SYSTEM - 4ROAD - STAINLESS STEEL