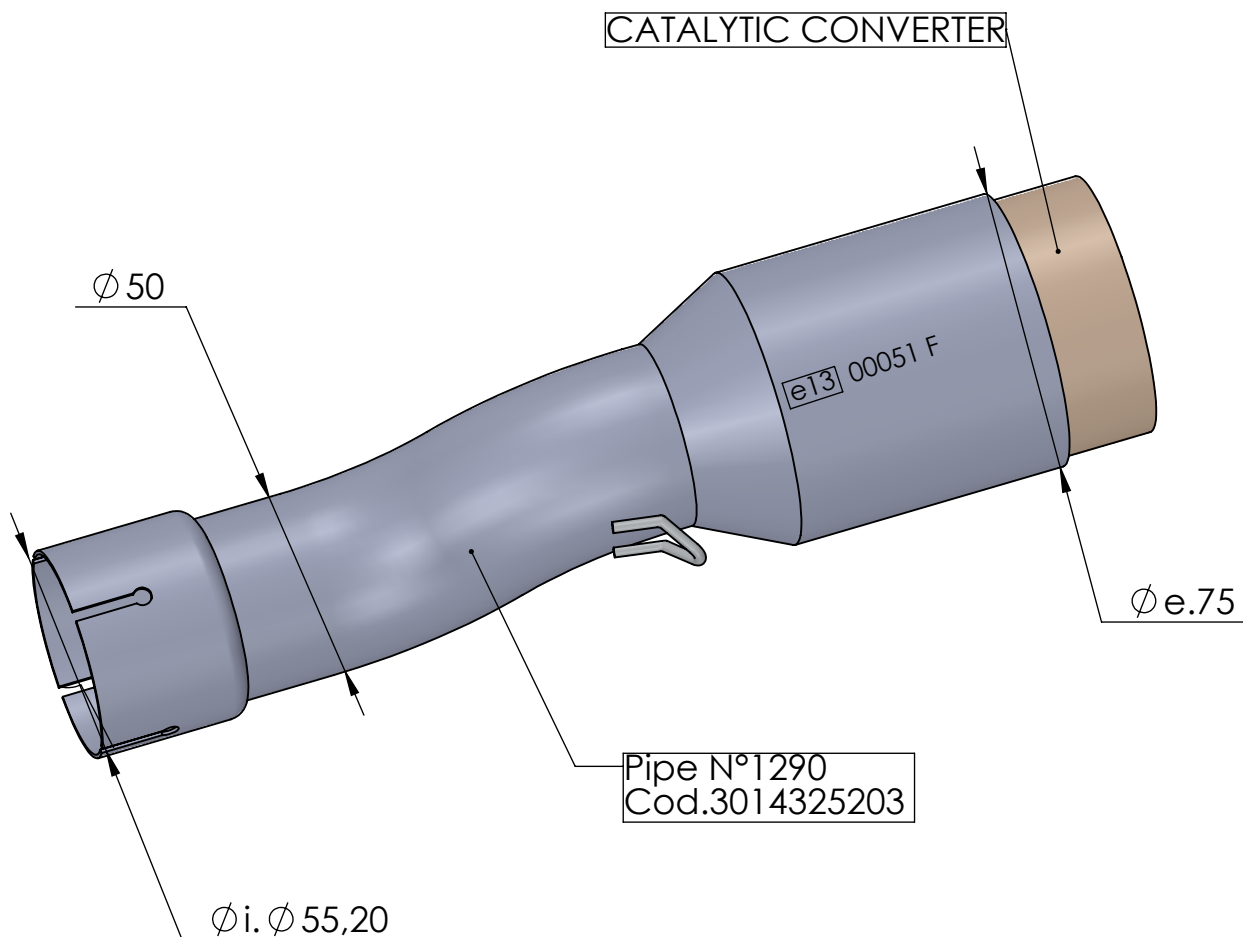


EU-APPROVED CATALYTIC CONVERTER MANIFOLD



ART. 16032

HUSQVARNA 701 ENDURO / ENDURO LR

HUSQVARNA 701 SUPERMOTO

SUITABLE FOR LEOVINCE ART. 14325E-14325EK-14066-14066K