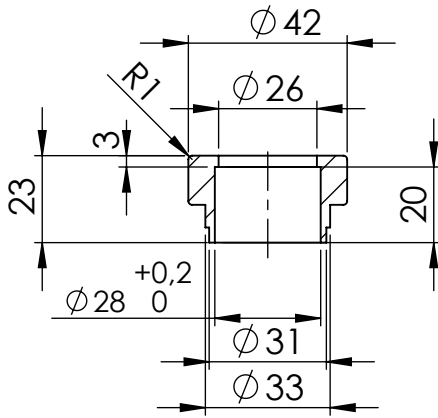
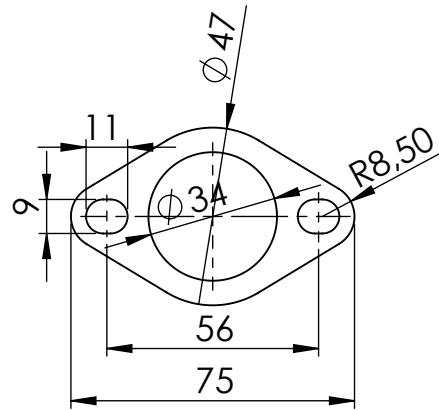


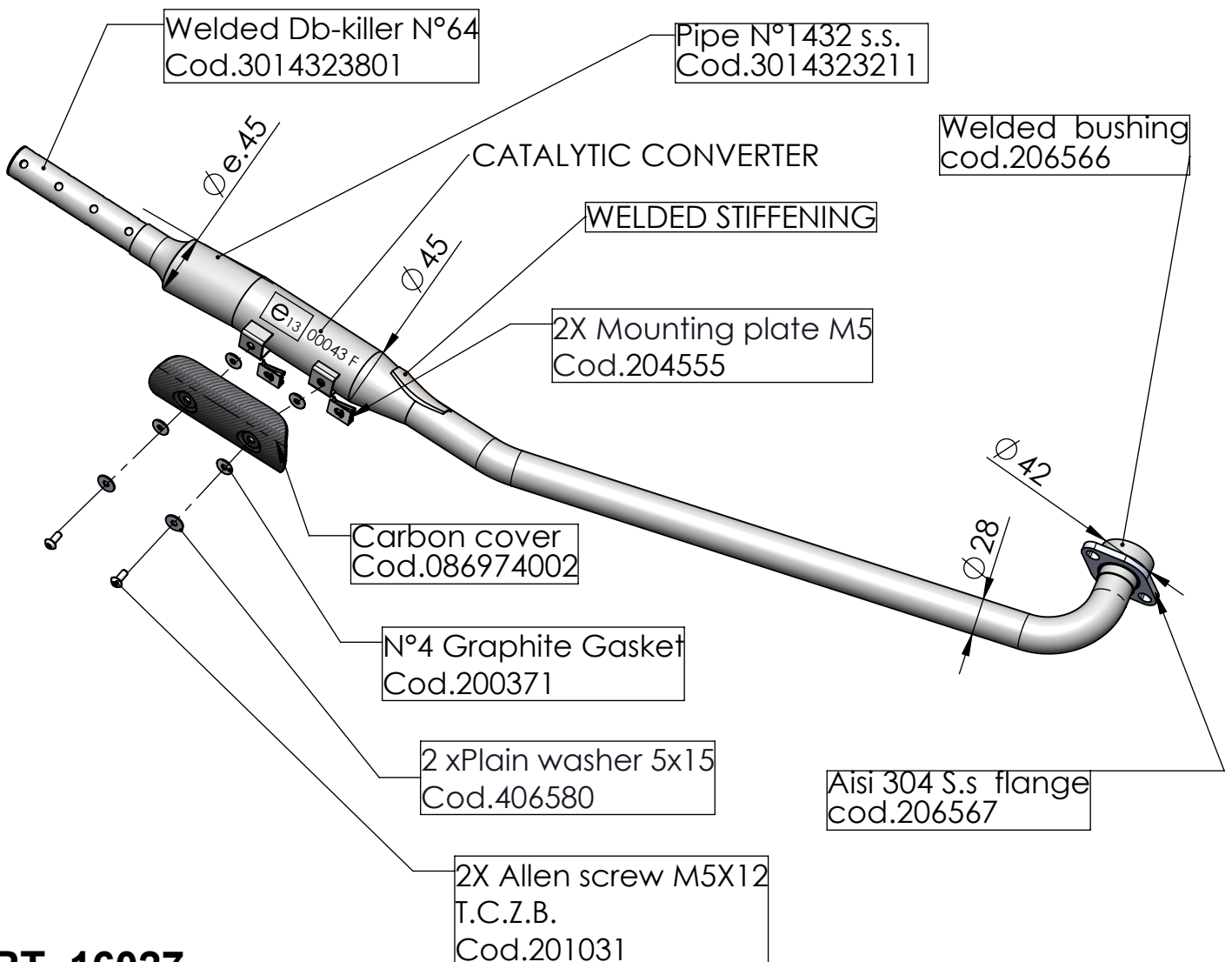
# EU- APPROVED CATALYTIC CONVERTER MANIFOLD



bushing  
cod.206566



Flange 45H  
cod.206567



**ART. 16027**

YAMAHA 125 X-MAX

SUITABLE FOR LEOVINCE ART. 14323E-14323EK-14060-14060K