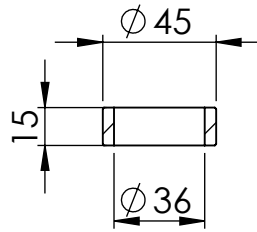
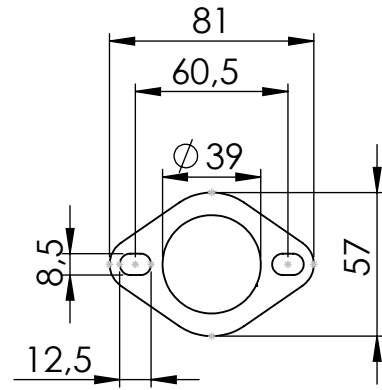




dB-Killer Ø38 n° 80
P/N 3015602801



S.S. Bushing
P/N 207133



S.S. Flange 25B
P/N 200560

Allen Screw
M8x35
P/N 200319

Alu Spacer
Øe.22 Øi.8,5 h.11
P/N 205090

Carbon Bracket
P/N 0815606501

S.S. Plate
P/N 207181

Allen Screw
M6x12
P/N 201265

S.S. Bracket
P/N 0815606502

2x Allen Screws
M8x12
P/N 206731

2x Washers
Ø15 ø5
P/N 406580

Carbon Heat Shield
P/N 0815401001

2x Allen Screws
M5 x 12
P/N 201031

Alu Spacer
Øe.20 Øi.8,5 h.3
P/N 204785

2x S.S. Bushing
P/N 207133

S.S. Pipe n°1 LHS n° 1461
P/N 3014442201

2x S.S. Flange
P/N 200560

S.S. Muffler
P/N 3015606481U

Øe.54 ∇ 35

Øi.54

2x Flange nuts M8
P/N 200298

bike's frame

Lambda/oxygen sensor plug
INCLUDED
P/N 5684

Lambda/oxygen sensor plug
OPTIONAL
P/N 5684

2x Mounting Plate M5
P/N 204555

4x Gaskets
Ø14 ø4,9 h.1,5
P/N 200371

Øi.54

Øe.54 ∇ 35

Ø50

Øe.40 ∇ 25

Øi.40

Ø38

Ø40

S.S. Pipe
P/N 3015606203

2x Washers
Ø16xØ8
P/N 200294

S.S. Pipe
P/N 3015640201

Allen Screw
M8x25
P/N 200314

4x Short Springs
P/N 303949001

S.S. Pipe n°2 RHS n° 1477
P/N 3014442206

ART. 15640U

SUZUKI GSX-8S / GSX-8R / GSX-8T / GSX-8TT

FULL SYSTEM LV-14 R STAINLESS STEEL