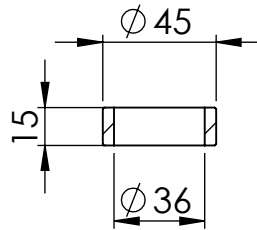
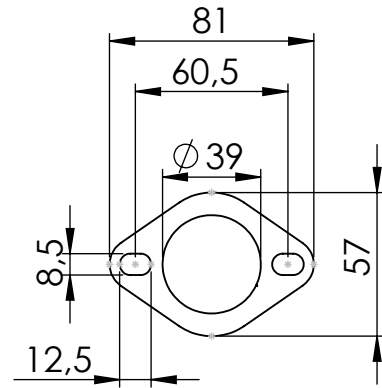




dB-Killer Ø38 n° 80  
P/N 3015602801



**S.S. Bushing**  
P/N 207133



**S.S. Flange 25B**  
P/N 200560

Allen Screw  
M8x35  
P/N 200319

Alu Spacer  
Øe.22 Øi.8,5 h.11  
P/N 205090

Carbon Bracket  
P/N 0815606501

S.S. Plate  
P/N 207181

Allen Screw  
M6x12  
P/N 201265

S.S. Bracket  
P/N 0815606502

2x Allen Screws  
M8x12  
P/N 206731

2x Washers  
Ø15 ø5  
P/N 406580

Carbon Heat Shield  
P/N 0815401001

2x Allen Screws  
M5 x 12  
P/N 201031

Alu Spacer  
Øe.20 Øi.8,5 h.3  
P/N 204785

2x S.S. Bushing  
P/N 207133

S.S. Pipe n°1 LHS n° 1461  
P/N 3014442201

2x S.S. Flange  
P/N 200560

2x Flange nuts M8  
P/N 200298

Lambda/oxygen sensor plug  
INCLUDED  
P/N 5684

Lambda/oxygen sensor plug  
OPTIONAL  
P/N 5684

2x Mounting Plate M5  
P/N 204555

4x Gaskets  
Ø14 ø4,9 h.1,5  
P/N 200371

S.S. Pipe  
P/N 3015606203

2x Washers  
Ø16xØ8  
P/N 200294

S.S. Pipe  
P/N 3015640201

Allen Screw  
M8x25  
P/N 200314

4x Short Springs  
P/N 303949001

S.S. Pipe n°2 RHS n° 1477  
P/N 3014442206

**ART. 15640TU**

SUZUKI GSX-8S / GSX-8R / GSX-8T / GSX-8TT

FULL SYSTEM LV-14 R TITANIUM