

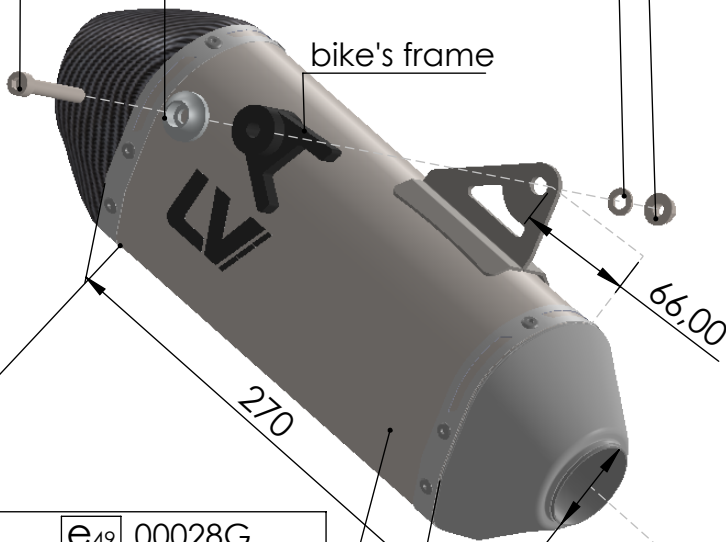
dB-Killer N° 32B
P/N 307762801

Allen Screw
M8x55
P/N 200331

Alu Spacer
Ø27 ø8.5
P/N 204321

Washer
Øi.8 Øe.24
P/N 200321

Flange Nut M8
P/N 200298



2x Allen Screw
M5x12
P/N 201031

2x Plain Washer
Ø15 ø5
P/N 406580

4x Gasket
Ø14 ø4.9 h.1,5
P/N 200371

Carbon Heat Shield
P/N 0815401001

2x Mounting Plate M5
P/N 204555

LV 1810 $\begin{matrix} \text{e49} & 00028\text{G} \\ \text{E49} & 92\text{R-02 0002} \end{matrix}$

Titanium Muffler
P/N 3015601471

Short Spring
P/N 303949001

S.S. Pipe n°1493
P/N 3015601201

Øi.49 ∇ 48

S.S. Clamp Ø51
P/N 300051530

ART. 15601T

HONDA XL 750 TRANSALP

SLIP ON LV14 TITANIUM APPROVED