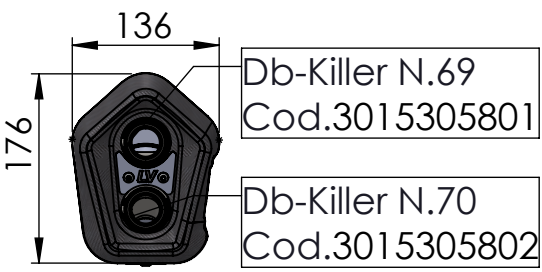


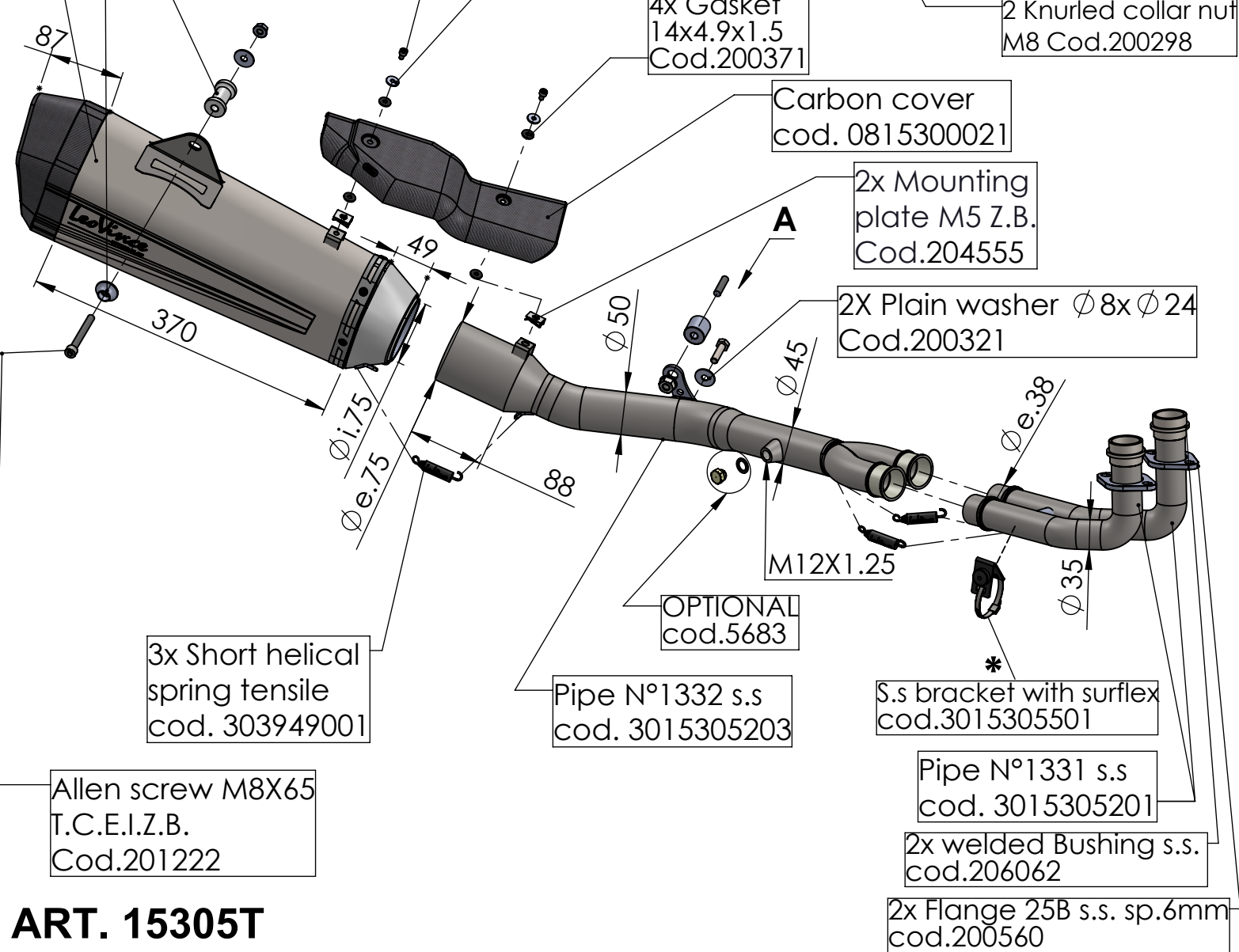
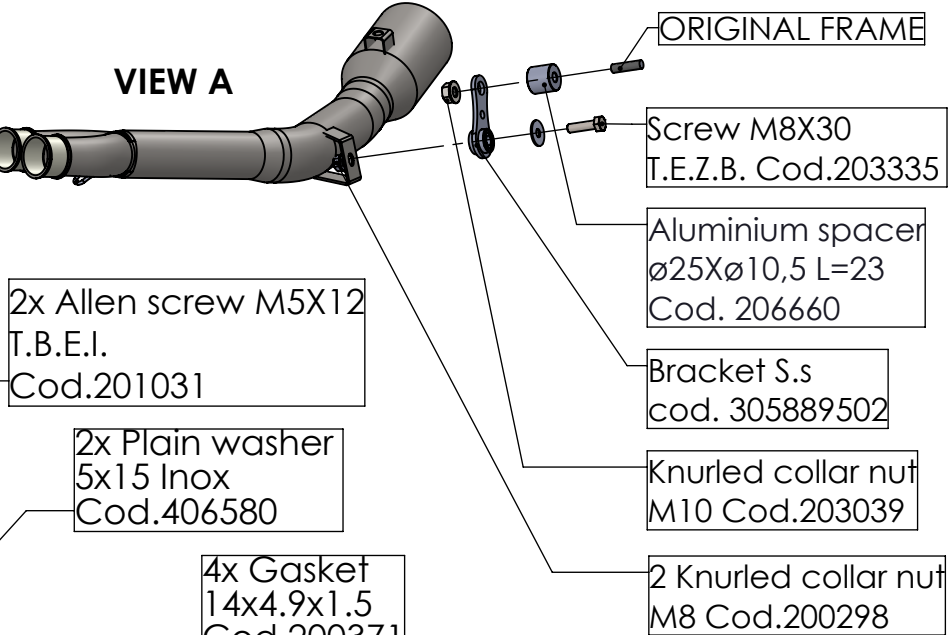
***N.B. WARNING! FOR INSTALLATION ON MODEL 2022 -->**
 it is essential to use the bracket cod.3015305501 on the manifold to avoid damaging the original fairing.



LV-12 silencer RHS
 Titanium
 Cod.3015305486

Aluminium spacer
 $\varnothing 27 \times 8,5$ Cod. 204321

Aluminium spacer
 $\varnothing 25-18$ L=40 $\varnothing 8,5$
 Cod. 202499



ART. 15305T

YAMAHA T-MAX 560/TECH MAX

SLIP-ON - LV-12 - TITANIUM

WARNING

it is advisable to optimize the carburation by remapping the stock ECU or by adopting an additional ECU unit.