

2x Allen screw M8X60  
T.C.E.I.Z.B.  
Cod.200949

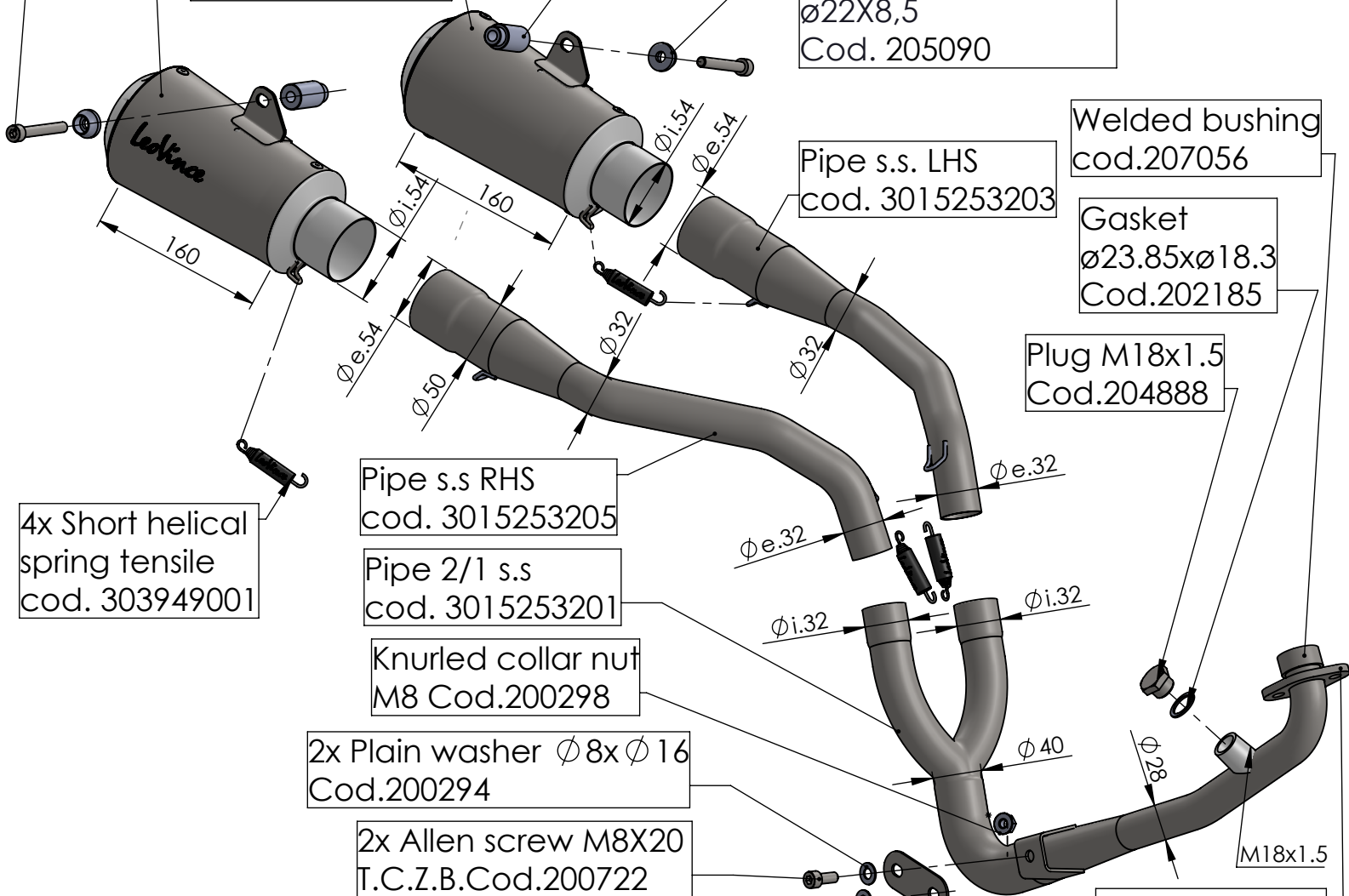
**WARNING:**  
The stock indicators have to be removed  
in order to install the exhaust

LV-10 Silencer RHS  
stainless steel  
Cod.309746481U

2x Aluminium spacer  
øe.20ø15xø8,5 H40  
Cod. 207058

LV-10 Silencer LHS  
stainless steel  
Cod.3015209482U

2x Aluminium spacer  
ø22X8,5  
Cod. 205090



Welded bushing  
cod.207056

Gasket  
ø23.85xø18.3  
Cod.202185

Plug M18x1.5  
Cod.204888

Pipe s.s. LHS  
cod. 3015253203

Pipe s.s. RHS  
cod. 3015253205

Pipe 2/1 s.s.  
cod. 3015253201

Knurled collar nut  
M8 Cod.200298

2x Plain washer ø8xø16  
Cod.200294

2x Allen screw M8X20  
T.C.Z.B.Cod.200722

Flange "57F"  
cod.083457014

S.s Bracket  
Cod.0815253501

4x Short helical  
spring tensile  
cod. 303949001

**ART. 15253U**

HONDA MSX 125 / GROM

FULL SYSTEM - LV-10 - STAINLESS STEEL