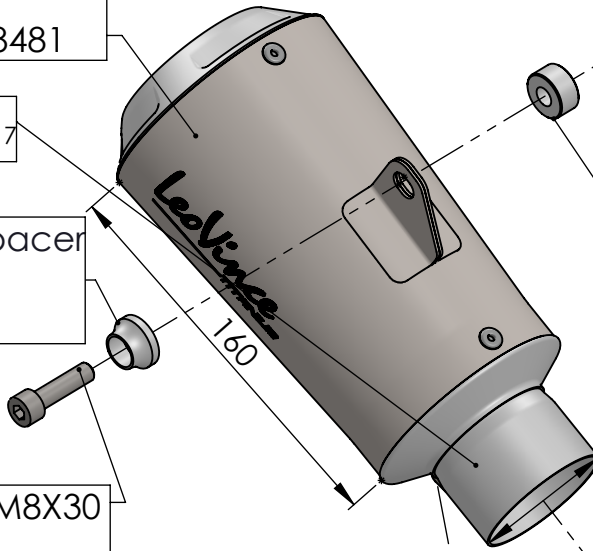


LV-10 silencer RHS
Titanium
Cod.309768481

E57 92R-02 0017

Aluminium spacer
ø27X8,5X11
Cod. 204321



Knurled collar nut
M8 Cod.200298

FOOTPEG ASSEMBLY

Allen screw
M8X45 T.B.E.I. Z.B.
Cod.206783

S.s.bushing
Cod.206468

Original footpegs

Plain washer
ø8xø17
Cod.200294

Knurled collar nut
M8 Cod.206718

S.s. bracket
Prod. cod.3015225501
Purch. cod.206470

Aluminium spacer
ø20X8,5X10
Cod. 200414

Pipe N°1236 titanium
Cod.3015225211

Strap in stainless
steel ø53
Cod.300053531

Allen screw M8X30
T.C.E.I. Z.B.
Cod.200491

Short helical spring tensile
Cod.303949001

USE ORIGINAL BUSHING
ø51Xø41XL30

Carbon heat shield
Cod.0814271001

4x Graphite gasket
ø6,4 x ø14
Cod.206367

2x Plain washer
ø6,4 x ø14
Cod.205833

2x Allen screw
M6X14 T.B.E.I. Z.B.
Cod.204643

Mounting
plate M6
Cod.204664

ART. 15225T

SUZUKI GSX-S 1000 / GSX-S 1000 F

SLIP-ON - LV-10 - TITANIUM - APPROVED