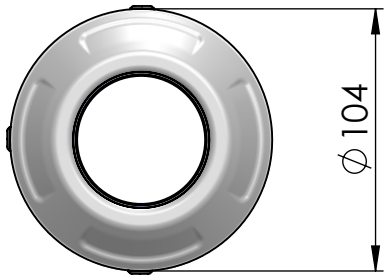


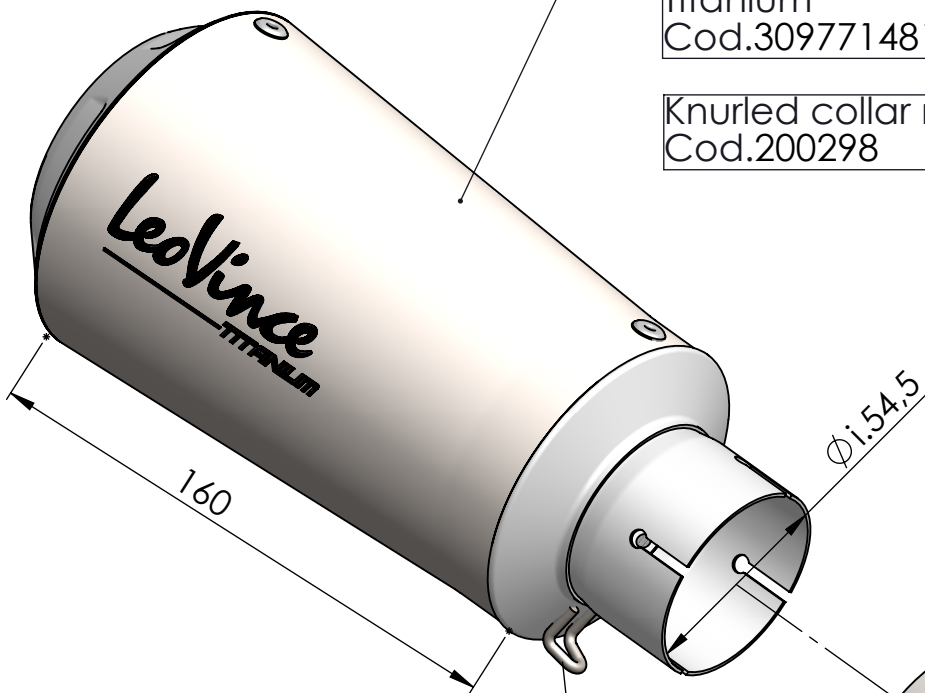
Extra nuts to be used with original bolts that mount the original exhaust hanger bracket. This will allow you to remove the original hanger bracket but re-use the bolts as to not leave empty holes once the bracket is removed.



Knurled collar nut M6
Cod.200322

LV-10 Silencer
Titanium
Cod.309771481

Knurled collar nut M8
Cod.200298



Short helical spring
tensile
Cod.308574001

Strap-in $\phi 57$
Stainless Steel
Cod.300057530

Stainless Steel
Bracket
Cod.3015203501

ART. 15203T

YAMAHA MT-10/SP

SLIP-ON - LV-10 - TITANIUM