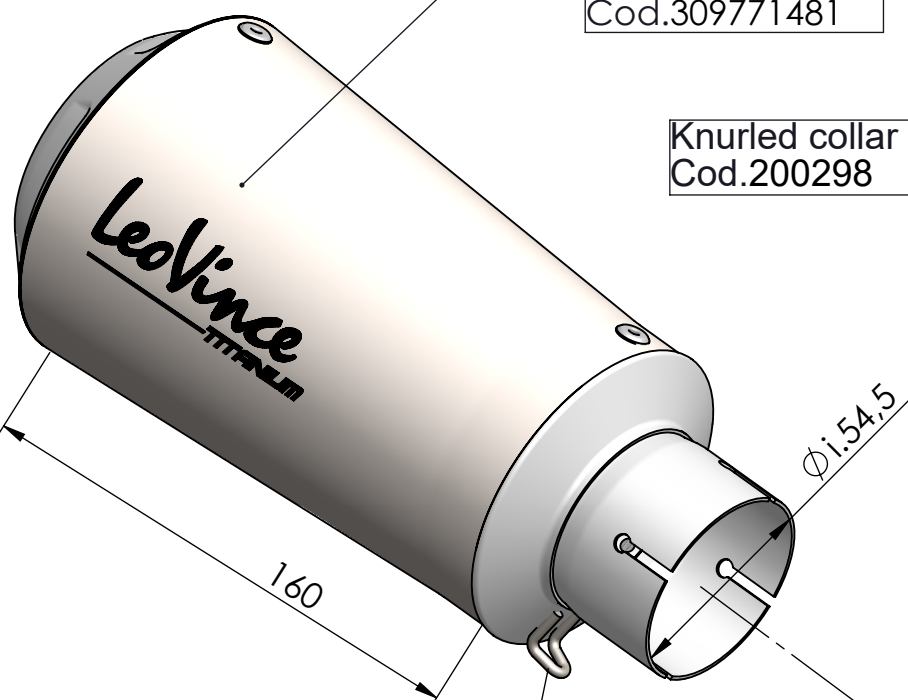


Extra nuts to be used with original bolts that mount the original exhaust hanger bracket. This will allow you to remove the original hanger bracket but re-use the bolts as to not leave empty holes once the bracket is removed.

Knurled collar nut M6  
Cod.200322

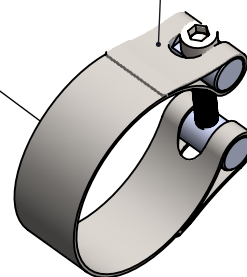
LV-10 silencer RHS  
titanium  
Cod.309771481

Knurled collar nut M8  
Cod.200298



Strap-in Ø57  
Stainless Steel  
Cod.300057530

Short helical spring  
tensile  
Cod.303949001



Stainless Steel  
Bracket  
Cod.3015201501

**ART. 15201T**

YAMAHA YZF-R1 / M

SLIP-ON - LV-10 - TITANIUM