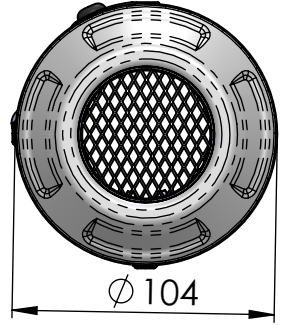


STANDARD LINK PIPE

LV-10 Silencer
Stainless steel
Cod.309746481U

Plain washer $\text{\O}8 \times \text{\O}24$
Cod.200321

Carbon Bracket
Cod.0815200001



2 Knurled collar
nut M8
Cod.200298

Aluminium spacer $\text{\O}27 \times 8.5$
Cod.204321

Allen screw M8X40 T.C.E.I. Z.B.
Cod.200993

Leovince

160

$\text{\O} i.54$

$\text{\O} e.54$

Plain washer $\text{\O}8 \times \text{\O}17$
Cod.200294

Allen screw
M8X20 T.C.E.I. Z.B.
Cod.200474

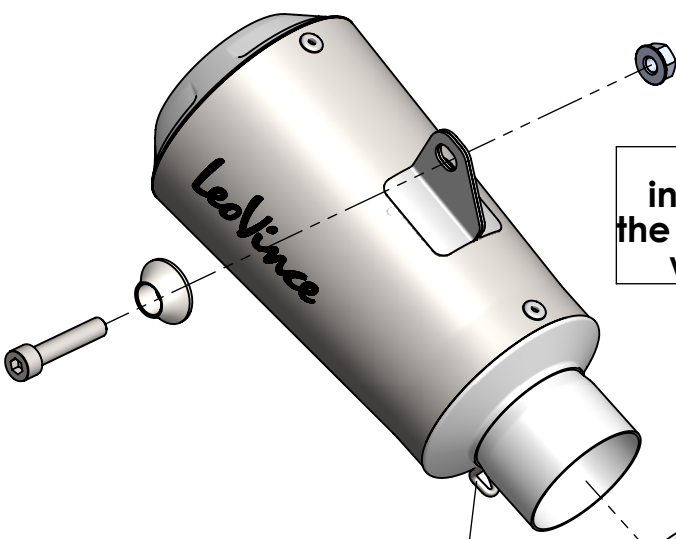
Short helical spring
tensile
Cod.303949001

Standard pipe N° 1154 S.s
Cod.3015200201

Strap-in $\text{\O}53$ S.s
Cod.300053530

$\text{\O} i.51$

HIGH MOUNT LINK PIPE



DISCLAIMER:
in order to avoid any risk of burns from
the muffler, do not carry on any passenger
when using the high mount link-pipe.

Pipe N° 1155 S.s
Cod.3015200203

ART. 15200U

KAWASAKI ZX-10 R NINJA / RR NINJA

SLIP-ON - LV-10 - STAINLESS STEEL