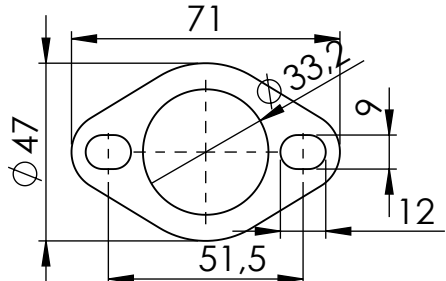
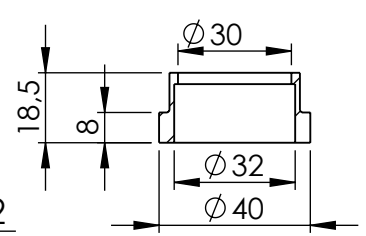


Db-Killer N.63
Cod.3014225801



S.S. flange sp.6mm
cod.201283 "43B"



S.S. bushing
cod.207040

Allen screw M8X30 T.C.E.I.Z.B.
Cod.202491

S.S. manifold
cod.3014409201

Aluminium spacer
ø27X8,5
Cod. 204321

S.S. black bracket
Prod. cod.3014409502
for **PIEGA 125**

S.S. Flange "43B"
cod.201283

Aluminium spacer
ø20xø8.5xH10
cod.200414

S.S. black bracket
cod.3014409501
for **HPS & SPORT CLASSIC 125**

S.S. welded bushing
cod.207040

LV ONE EVO
silencer RHS
s.s. black
cod.3014409485

Knurled collar screw
M8X12 T.E.Z.B.
Cod.206731

Allen screw M8X50
T.C.E.I.Z.B.
Cod.200461

Carbon heat shield
cod.083883001

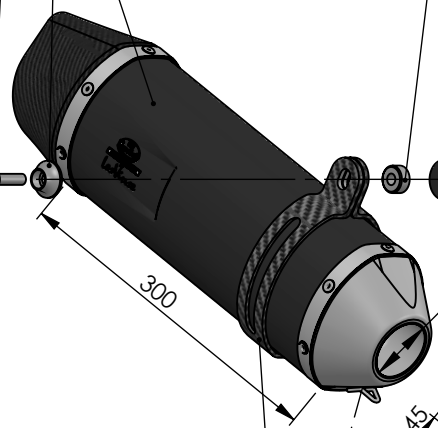
Plain washer
Ø8xØ16
Cod.200294

2x Screw M5X12
Cod.201031

OPTIONAL
cod.5684
M12x1.25

2x Plain washer
5x15 Inox
Cod.406580

BIKE'S
FRAME



4x Gasket
14x4.9x1.5
Cod.200371

Aluminium spacer
ø20xø8.5xH28
cod.207077

Carbon clamp FM1
Cod.306958501

2x Mounting
plate M5 Z.B.
Cod.204555

S.S. manifold bracket
cod.0814409501

2x Short helical
spring tensile
cod. 303949001

S.S. manifold
cod.3014409205

3x Plain washer
Ø8xØ24
Cod.200321

Allen screw M8X20
T.C.Z.B.Cod.200722

3x Knurled collar nut
M8 Cod.200298

ART. LVFBM00028EB

Technical drawing for HPS 125 / SPORT CLASSIC 125 / PIEGA 125

PERFORMANCE EXHAUST SYSTEM - S.S. BLACK