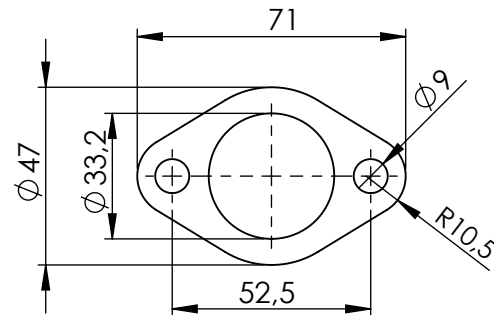
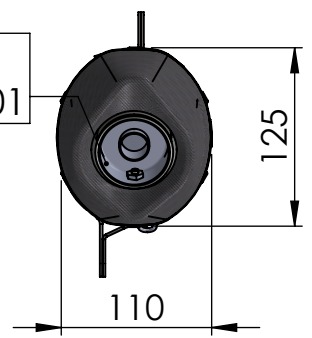


**Bushing s.s.  
cod.206283**



**Flange s.s. "43E"  
cod.206308 sp.5mm**

Db-Killer N.63  
Cod.3014225801



E13 92R-02 10440

LV ONE EVO silencer RHS  
stainless steel  
Cod.3014389481

Welded s.s. flange "43E"  
cod.206308

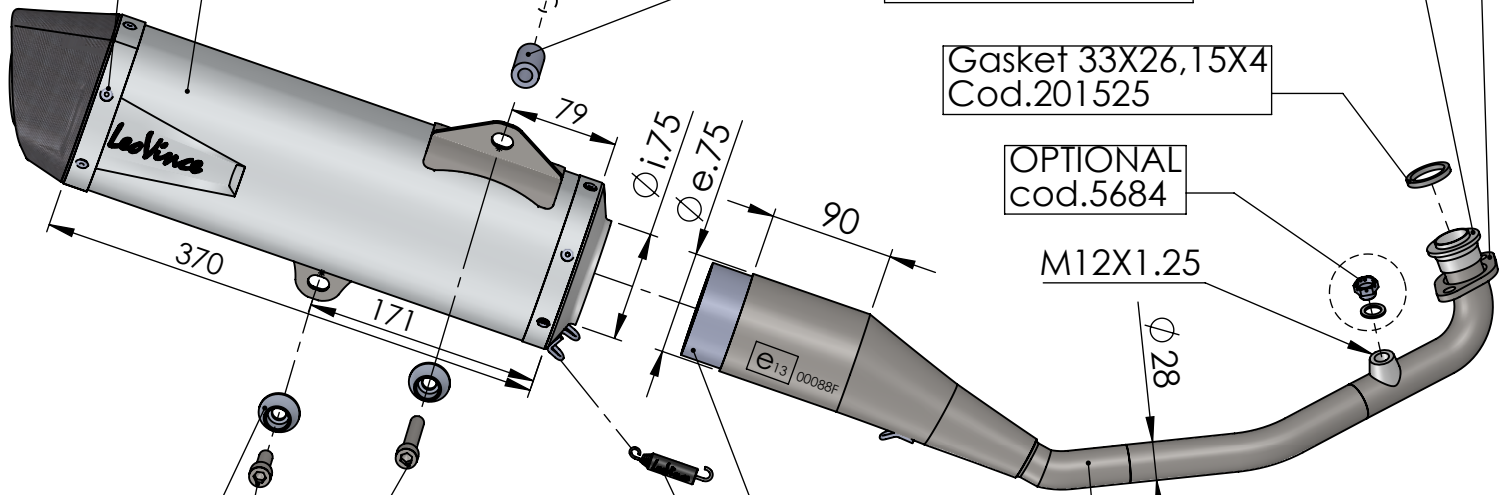
Welded bushing  
cod.206283

Aluminium spacer  
Ø20XH36 X10.5  
Cod. 206282

Gasket 33X26,15X4  
Cod.201525

OPTIONAL  
cod.5684

BIKE'S FRAME



M12X1.25

Allen screw  
M10X75  
Cod.206722

CATALYTIC  
CONVERTER

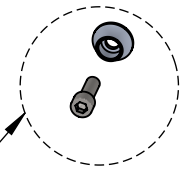
Pipe N°1388 s.s.  
cod. 3014389203

2X Allen screw M10X30  
Cod.406393

Short helical  
spring tensile  
cod. 303949001

3x Aluminium spacer  
Ø25XH13 X10.5  
Cod. 206272

TO COVER HOLE  
IN THE ORIGINAL FRAME  
(Spacer cod.206272 and  
Screw M10x30)



# ART. 14389EK

HONDA PCX 125

FULL SYSTEM - LV ONE EVO - STAINLESS STEEL - APPROVED