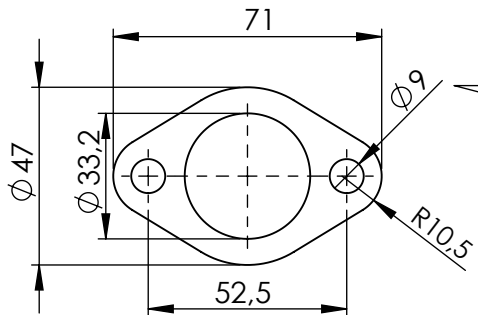
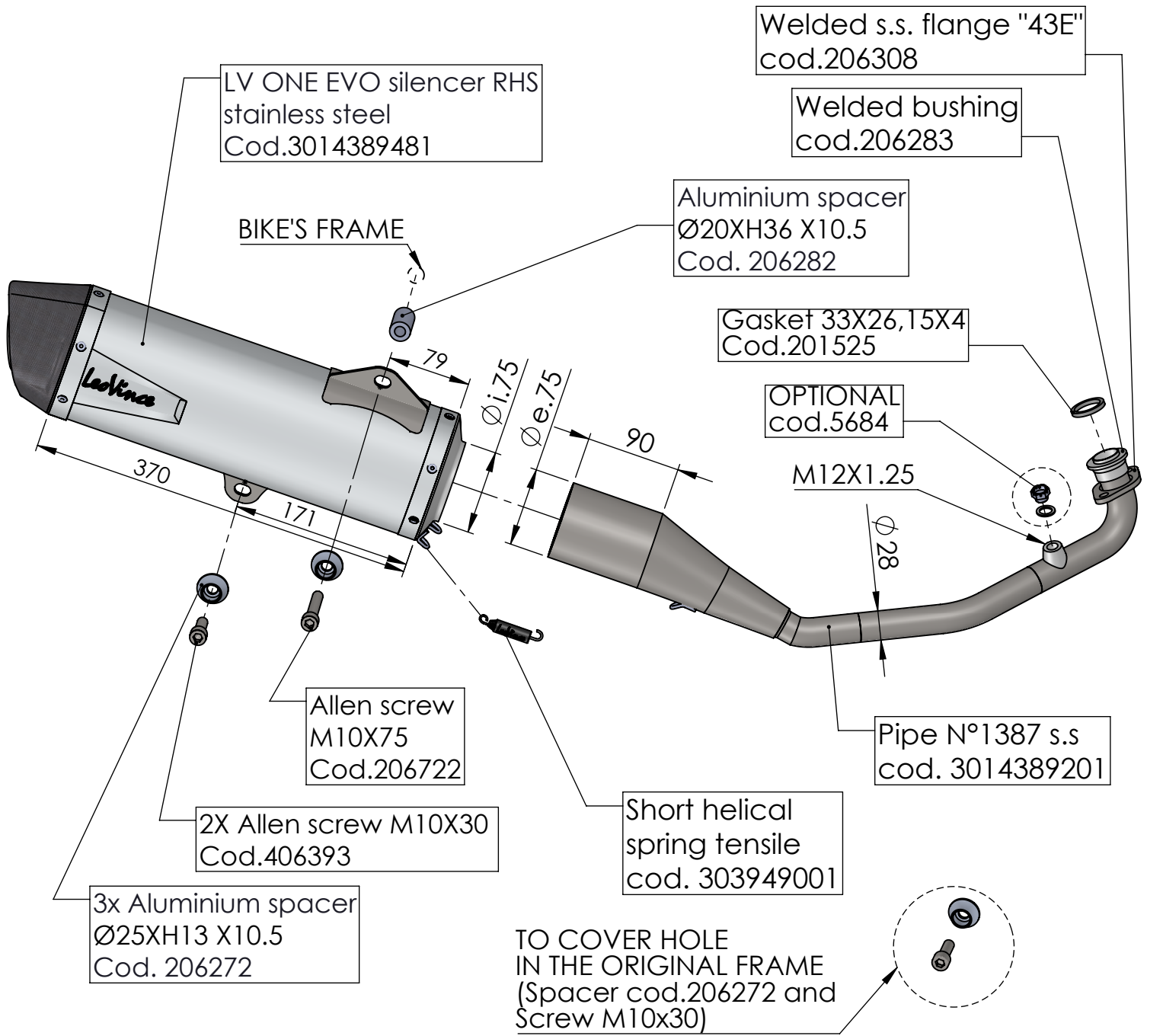
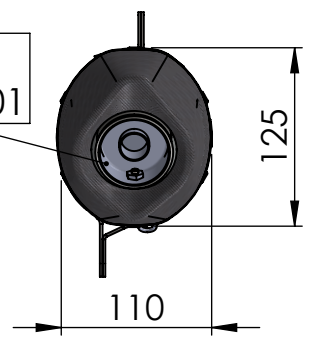


**Bushing s.s.**  
cod.206283



**Flange s.s. "43E"**  
cod.206308 sp.5mm

Db-Killer N.63  
Cod.3014225801



LV ONE EVO silencer RHS  
stainless steel  
Cod.3014389481

Welded s.s. flange "43E"  
cod.206308

Welded bushing  
cod.206283

Aluminium spacer  
Ø20XH36 X10.5  
Cod. 206282

Gasket 33X26,15X4  
Cod.201525

OPTIONAL  
cod.5684

M12X1.25

Pipe N°1387 s.s  
cod. 3014389201

Allen screw  
M10X75  
Cod.206722

2X Allen screw M10X30  
Cod.406393

3x Aluminium spacer  
Ø25XH13 X10.5  
Cod. 206272

Short helical  
spring tensile  
cod. 303949001

TO COVER HOLE  
IN THE ORIGINAL FRAME  
(Spacer cod.206272 and  
Screw M10x30)

**ART. 14389E**

HONDA PCX 125

FULL SYSTEM - LV ONE EVO - STAINLESS STEEL