

**Flange s.s. sp.5mm
cod.206423**

**s.s. bushing
cod.206424**

**Db-Killer N.65
Cod.3014324801**

**Carbon heat shield
Cod.088213001**

**S.s bushing
cod.206424**

**4x Gasket
14x4.9x1.5
Cod.200371**

**LV ONE EVO silencer LHS
stainless steel
Cod.3014364482U**

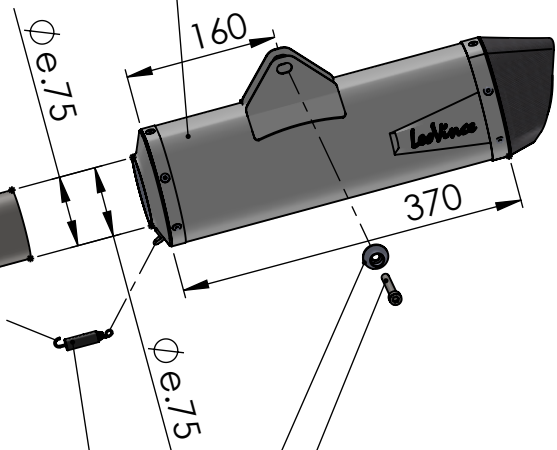
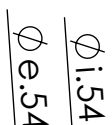
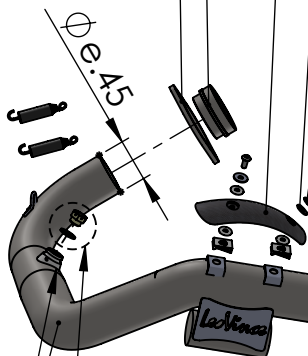
**S.s flange
cod.206423**

**2x Plain washer
5x15 Inox
Cod.406580**

**2xKnurled collar nut
M8 Cod.200298**

**2x T.B.E.I. screw M5X12
Cod.201031**

**4x Mounting
plate M5 Z.B.
Cod.204555**



**OPTIONAL
cod.5683**

**Pipe s.s.
cod. 3014364201**

**Allen screw M8X45
T.C.E.I.Z.B.
Cod.201450**

**Plain washer $\phi 8 \times \phi 17$
Cod.200294**

**Aluminium spacer
 $\phi 27 \times 8,5$
Cod. 204321**

**Allen screw M8X20
T.C.Z.B.Cod.200722**

**Pipe s.s.
cod. 3014364203**

**4x Short helical
spring tensile
cod. 303949001**

ART. 14364EU

KTM 690 ENDURO R / 690 SMC R 690

GAS GAS ES 700 / GAS GAS SM 700 (Also fits 35kW version)

FULL SYSTEM - LV ONE EVO - STAINLESS STEEL