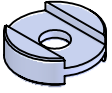
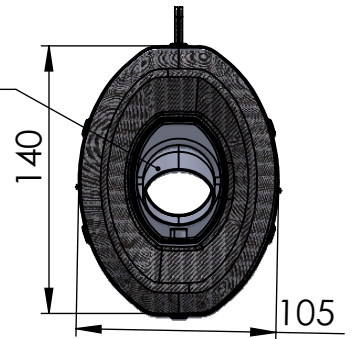


Do not use  
Aluminium spacer  
Cod. 205866



Db-killer N°52  
Cod.308421801



Bracket black S.s  
Cod. 3014336501

Knurled collar nut  
M6 Cod.200333

**NB.Brand Leovince  
on this side**

Knurled collar nut  
M8 Cod.200298

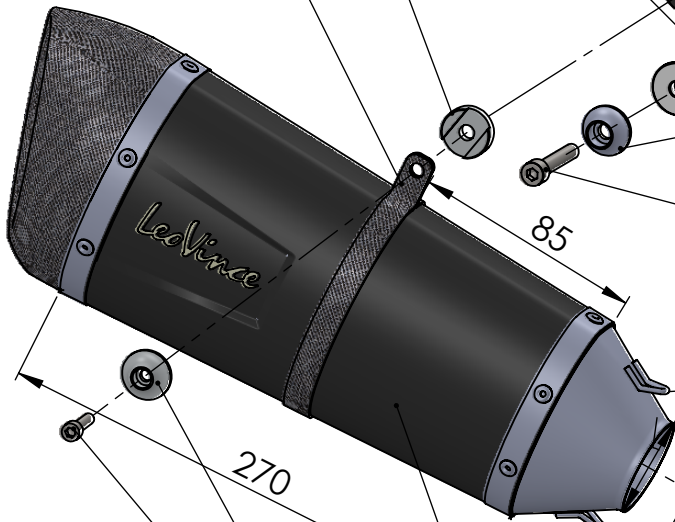
2x Aluminium spacer  
 $\phi 29-\phi 23.5 \times \phi 8,5 \times h7$   
Cod. 205153

Aluminium spacer  
 $\phi 27 \times 8,5$   
Cod. 204321

Allen screw M8X45  
T.C.E.I.Z.B.  
Cod.201450

Aluminium spacer  
Cod. 205771

Carbon clamp FR2  
cod.308448501



Pipe N°1310 s.s  
cod. 3014336201

2x Short helical  
spring tensile  
cod. 303949001

Strap in S.s.  $\phi 57$   
Cod.300057530

Allen screw M6X25  
T.C.E.I.Z.B.  
Cod.200586

Aluminium spacer  
 $\phi 27 \times \phi 6.5$   
Cod. 205767

FACTORY S Stainless s. black  
 $\phi i 54 \times 270$  RHS  
Cod.3014336485U

**DO NOT  
USE ORIGINAL  
GRAPHITE  
BUSHING**

## ART. 14336SBU

KAWASAKI NINJA 1000 SX / TOURER (fits with original panniers)

SLIP-ON -FACTORY-S - BLACK - APPROVED