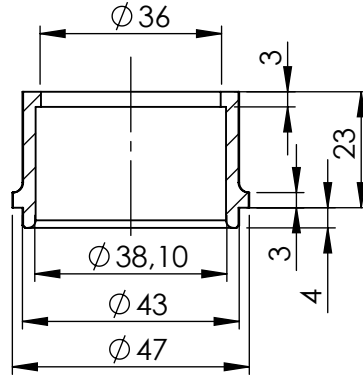
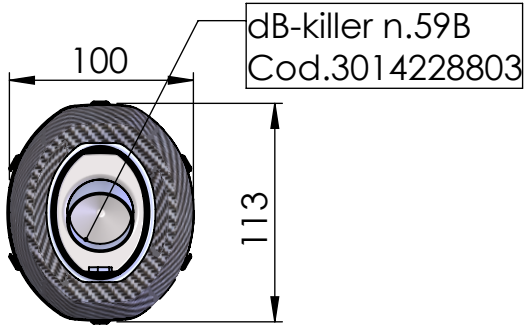
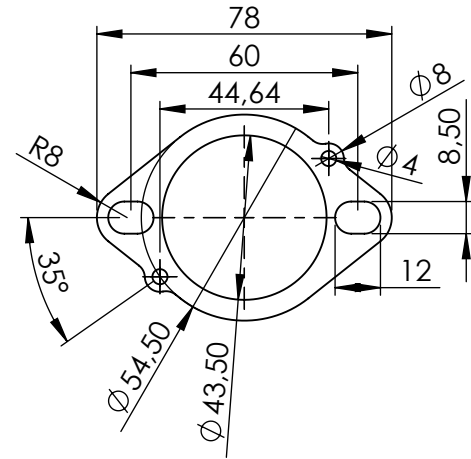


**BUSHER STAINLESS S.  
COD.204870**



**FLANGE STAINLESS S.  
COD.204448**



dB-killer n.59B  
Cod.3014228803

LV ONE EVO Silencer RHS  
Carbon fiber  
Cod.3014229482

N°2 Aluminium spacer  
Ø 27x8,5x11  
Cod. 204321

Allen screw M8X35  
T.C.Z.B.  
Cod.200319

(E13) 92R-02 10423

N°3 Aisi 304  
stainless steel flange  
Cod.204448

N°3 Stainless Steel  
Busher 38,1X36X27  
Cod.204870

N°7 Short helical spring  
tensile  
Cod.303949001

Allen screw M8X16  
T.C.Z.B.  
Cod.200360

3x Knurled collar nut M8  
Cod.200298

OPTIONAL  
Cod.5682

Pipe N°2  
Cod.3014032202

Carbon bracket FM4S  
Cod.307572505

Allen screw M8X25  
T.C.Z.B.  
Cod.200314

Plain washer ø8xø24  
Cod.200321

Stainless s. bracket  
Prod. Cod.3014228501  
Purch. Cod.206419

e13 0387 ⑤

e13 00012 F

Pipe 3/1  
Cod.3014228207

Pipe N°1  
Cod.3014032201

Pipe N°3  
Cod.3014032203

**ART. 14229EK**

YAMAHA MT09/SP - MT09 TRACER/GT - XSR900

FULL SYSTEM 3/1 - LV ONE EVO -CARBON - APPROVED