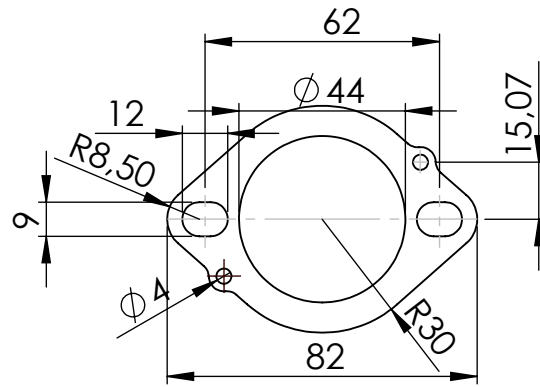
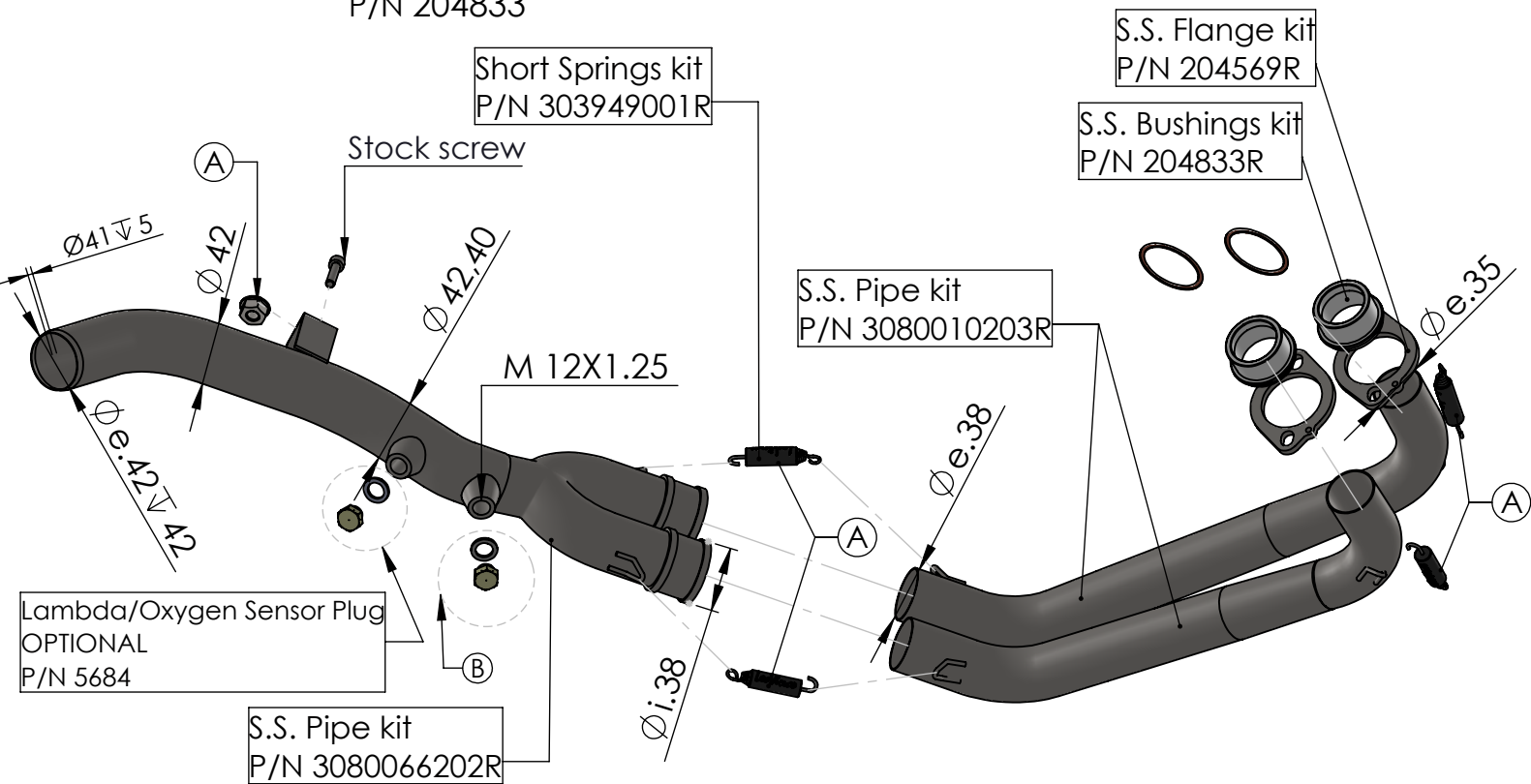


Bushing
P/N 204833



Flange sp. 5mm
P/N 204569



WARNING

it is advisable to optimize the carburation by remapping the stock ECU or by adopting an additional ECU unit.

IMPORTANT NOTICE!

Fitment on Euro 5 & Euro 5+ model requires optional lambda wire extension harness **ART.208194R** which have to be ordered separated (not included)



Nylon zip cable tie

- (A) Fitting kit: P/N 3080010602R
- (B) Kit Lambda/Oxygen Sensor Plug: P/N 5683

ART. 80066 - SPARE PARTS

YAMAHA TÉNÉRÉ 700

(COMPATIBLE WITH ORIGINAL AND LEOVINCE EXHAUST ART.14330E - 14330EB - 14330EBU - 15609 - 15609U - 15609B - 15609BU - 15609T - 15609TU)
(fits with original panniers, skid plate, engine guard and centre stand)
(Fits with original panniers) (Also fits 35kW version)

HEADER PIPE 2/1 - STAINLESS STEEL