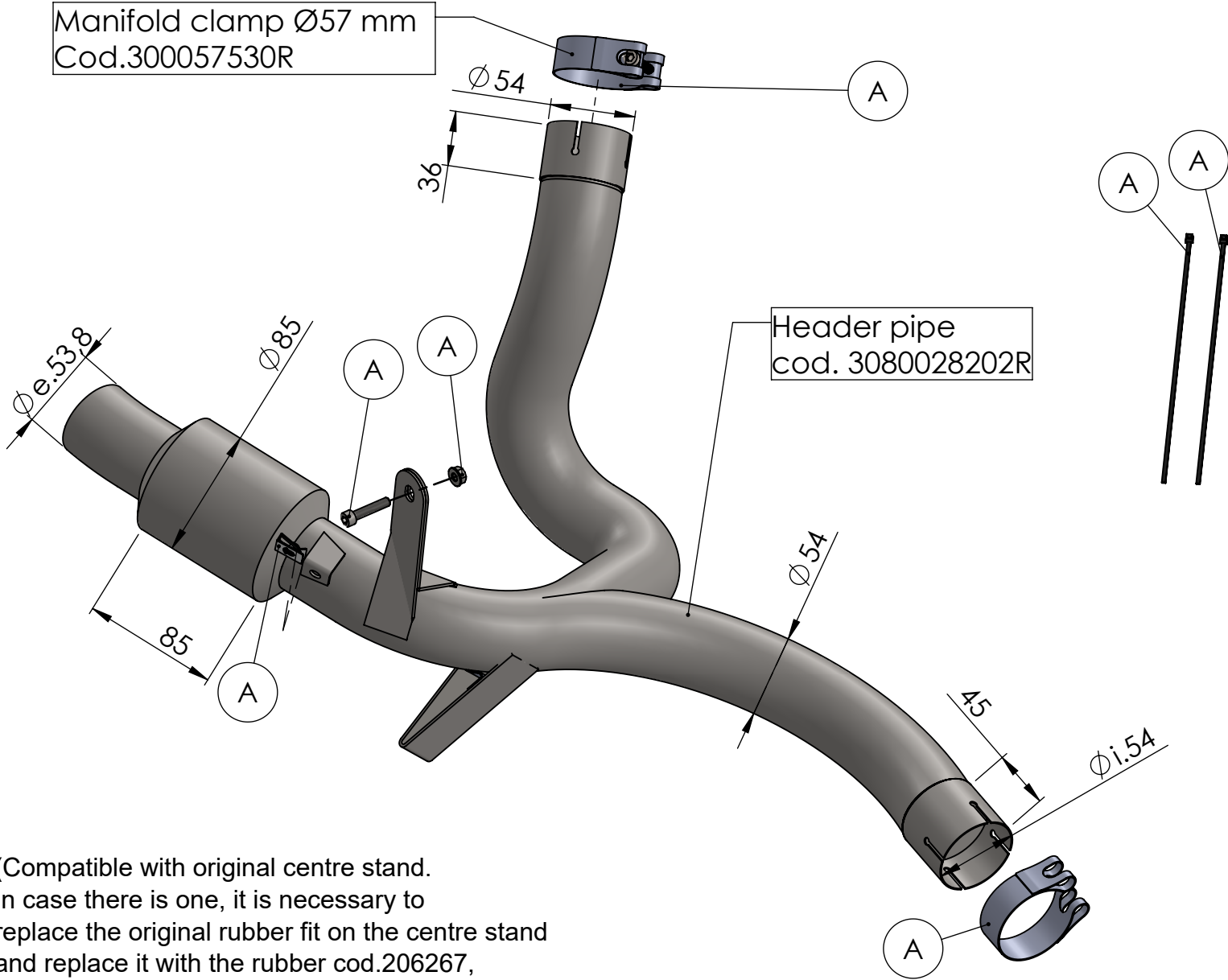
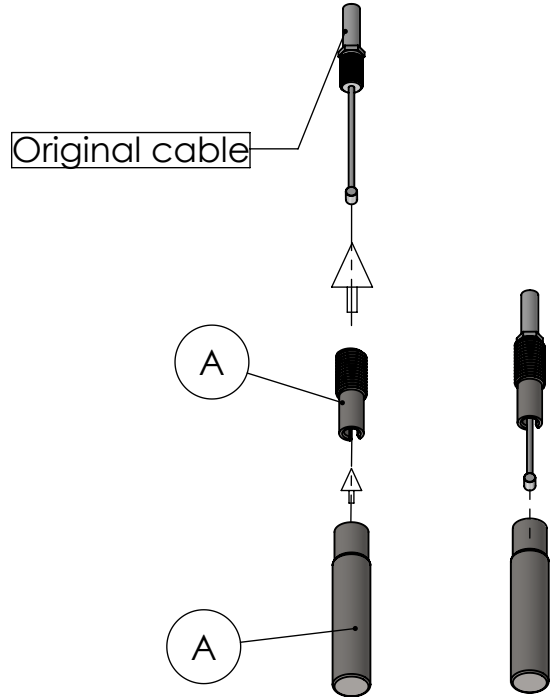
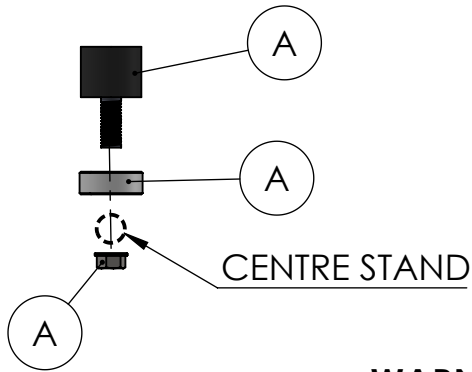


Manifold clamp Ø57 mm
Cod.300057530R



Header pipe
cod. 3080028202R

(Compatible with original centre stand.
In case there is one, it is necessary to
replace the original rubber fit on the centre stand
and replace it with the rubber cod.206267,
the nut 200298 and the spacer 206366)



WARNING

-it is advisable to optimize the carburation by remapping
the stock ECU or by adopting an additional ECU unit.

ART. 80028 SPARE PARTS

DUCATI MULTISTRADA 950/950S

(Compatible with original under cowl and original exhaust)
(Fits with original panniers)

(A) FITTING KIT cod. 3080028601R