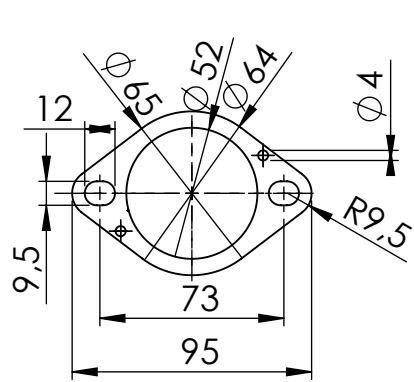
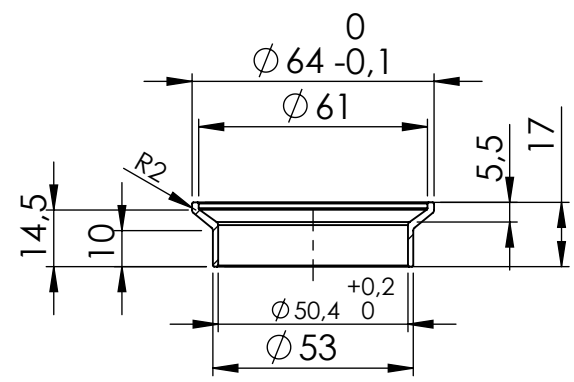


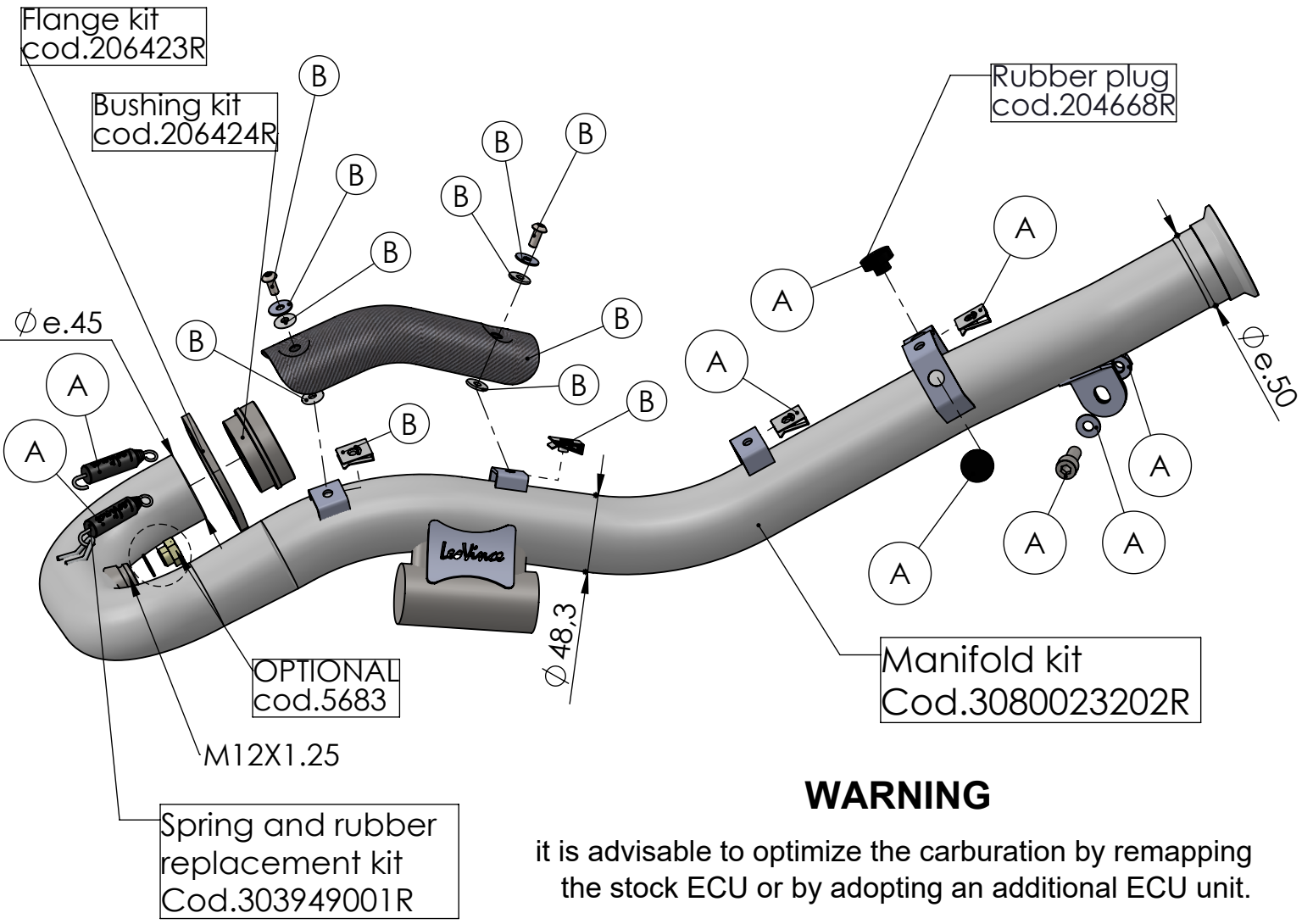
bushing  
cod.206424R



Flange sp.5mm  
cod.206423R



welded bushing



**WARNING**

it is advisable to optimize the carburation by remapping the stock ECU or by adopting an additional ECU unit.

**ART. 80023 SPARE PARTS**

KTM ENDURO R / 690 SMC R 690 / GAS GAS ES 700  
GAS GAS SM 700 (also fits 35kW version)  
(Compatible both with stock exhaust and LeoVince slip-on)

- (A) FITTING KIT Cod. 3080009601R
- (B) CARBON COVER KIT Cod. 3015224001R