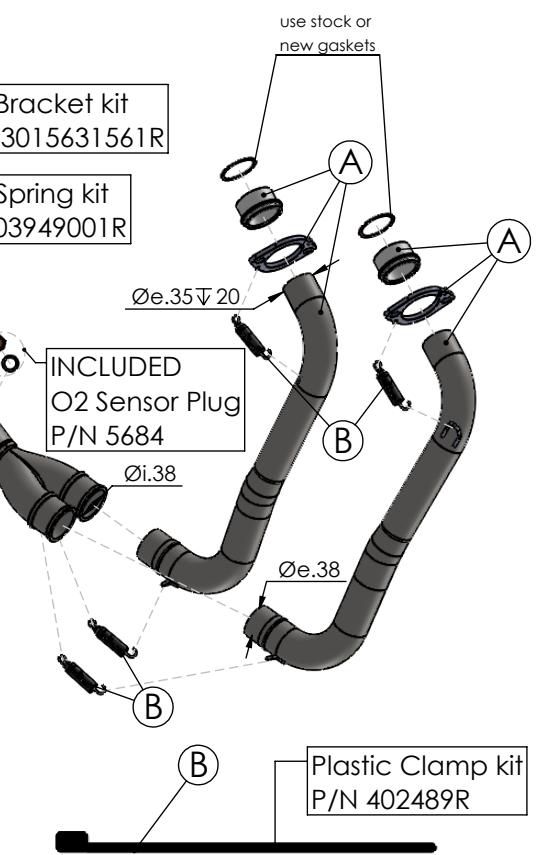
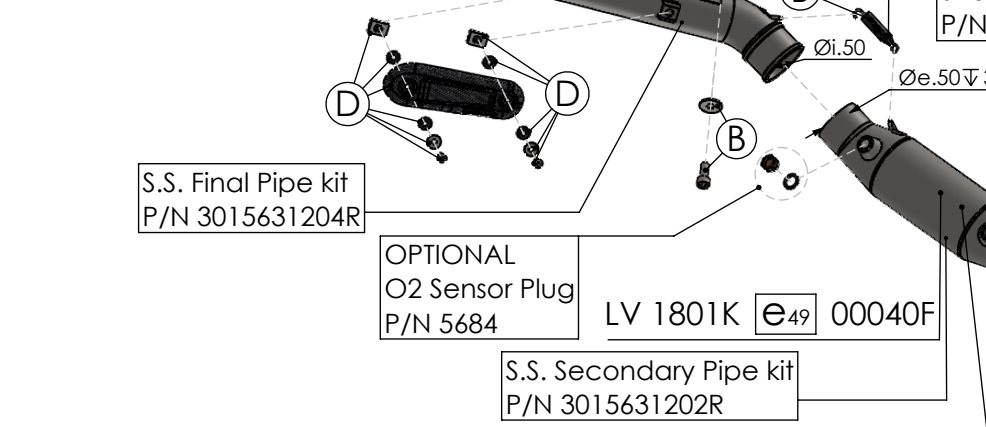
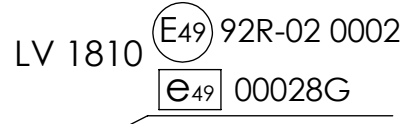
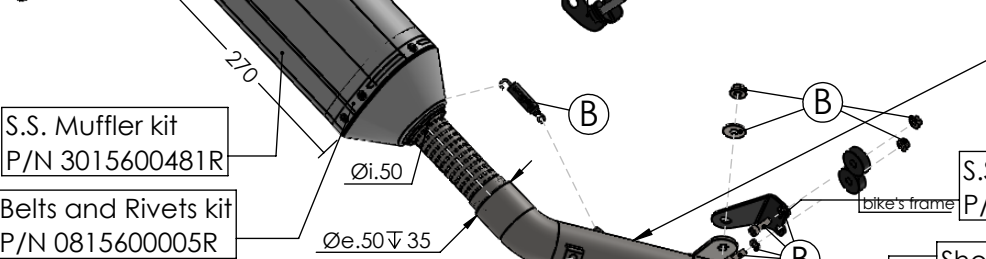
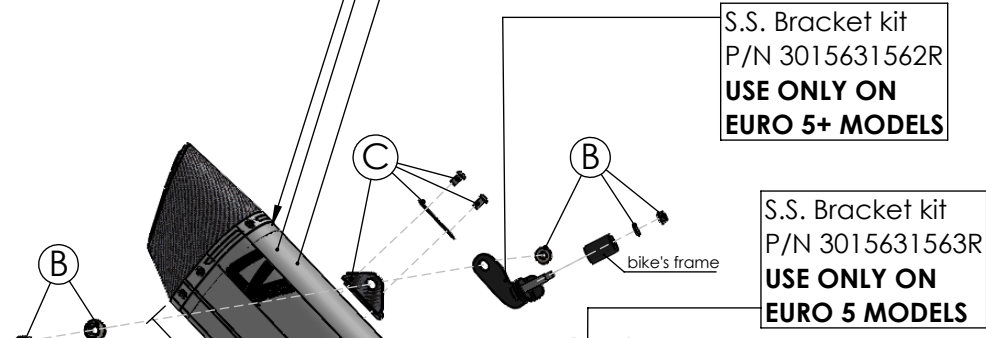
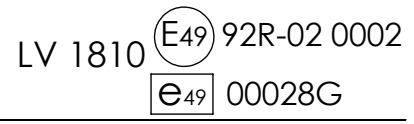


WARNING
Fitting this exhaust system it is advisable to optimize the carburation by remapping the stock ECU or by adopting an additional ECU unit.



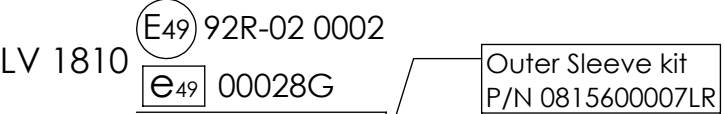
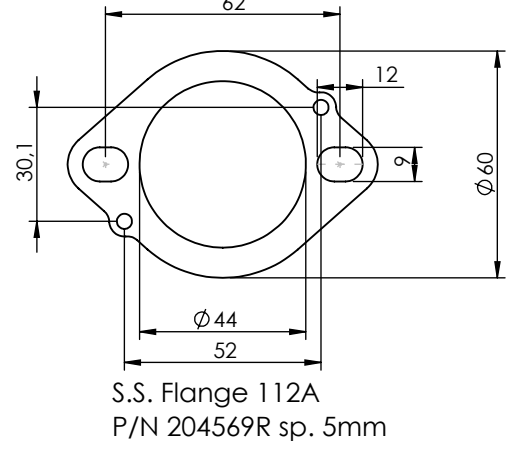
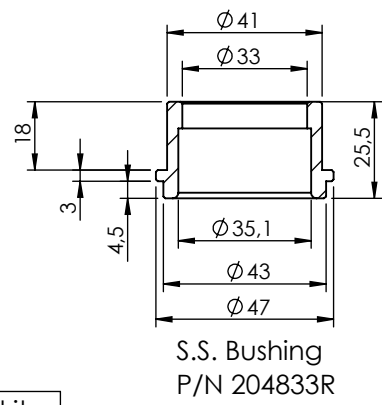
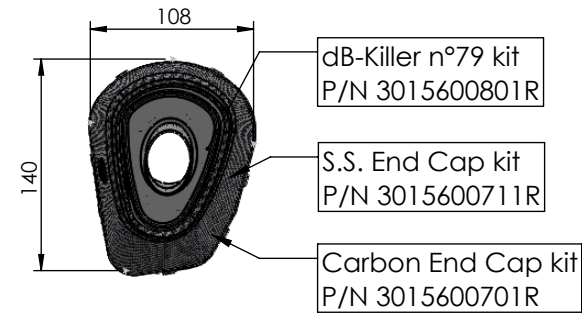
- (A) Primary Pipes kit: P/N 3014349203R
- (B) Fitting kit: P/N 3015631601R
- (C) Carbon Bracket kit: P/N 3015602562R
- (D) Carbon Heat Shield kit: P/N 3015401001R

ART. 15631K - SPARE PARTS

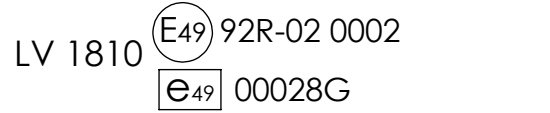
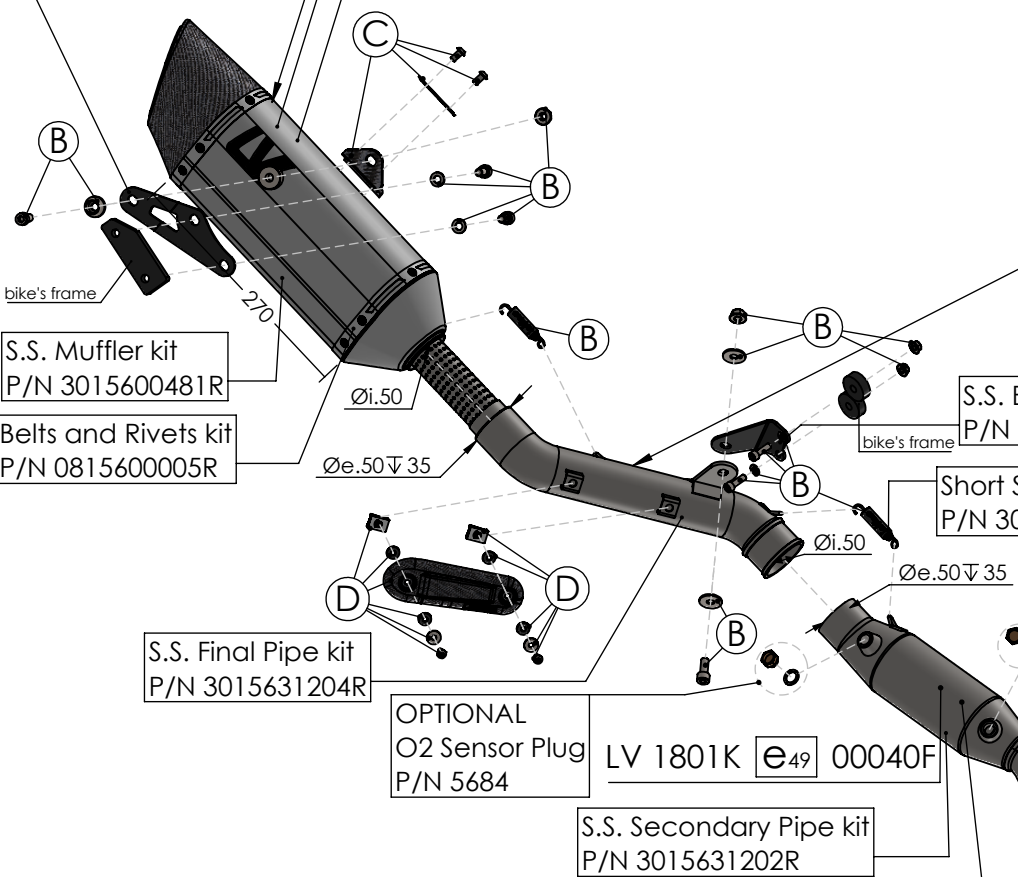


YAMAHA MT-07 (also fits 35kW version)

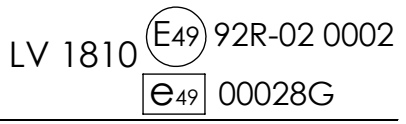
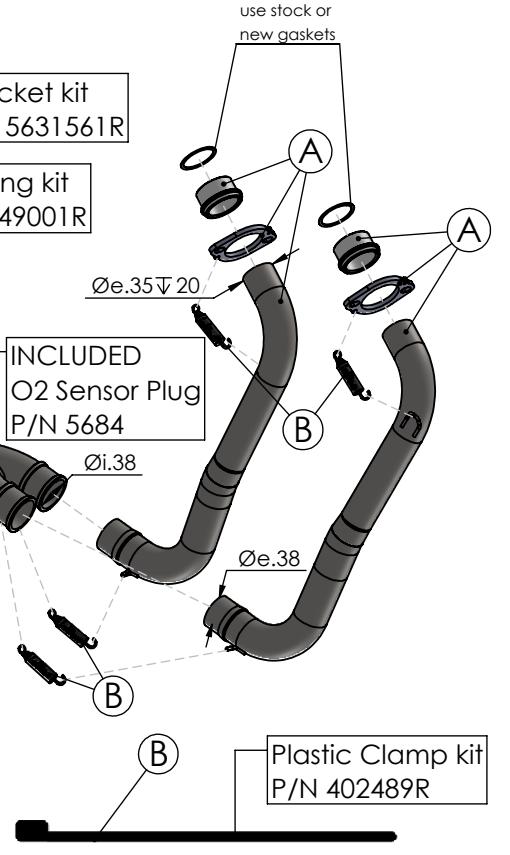
FULL SYSTEM LV-14R STAINLESS STEEL APPROVED



WARNING
Fitting this exhaust system it is advisable to optimize the carburation by remapping the stock ECU or by adopting an additional ECU unit.



- (A) Primary Pipes kit: P/N 3014349203R
- (B) Fitting kit: P/N 3015631601R
- (C) Carbon Bracket kit: P/N 3015602562R
- (D) Carbon Heat Shield kit: P/N 3015401001R



ART. 15631K - SPARE PARTS

YAMAHA TRACER 7

(also fits 35kW version) (fit with original panniers **ONLY 2020-2024 VERSIONS**)

FULL SYSTEM LV-14R STAINLESS STEEL APPROVED