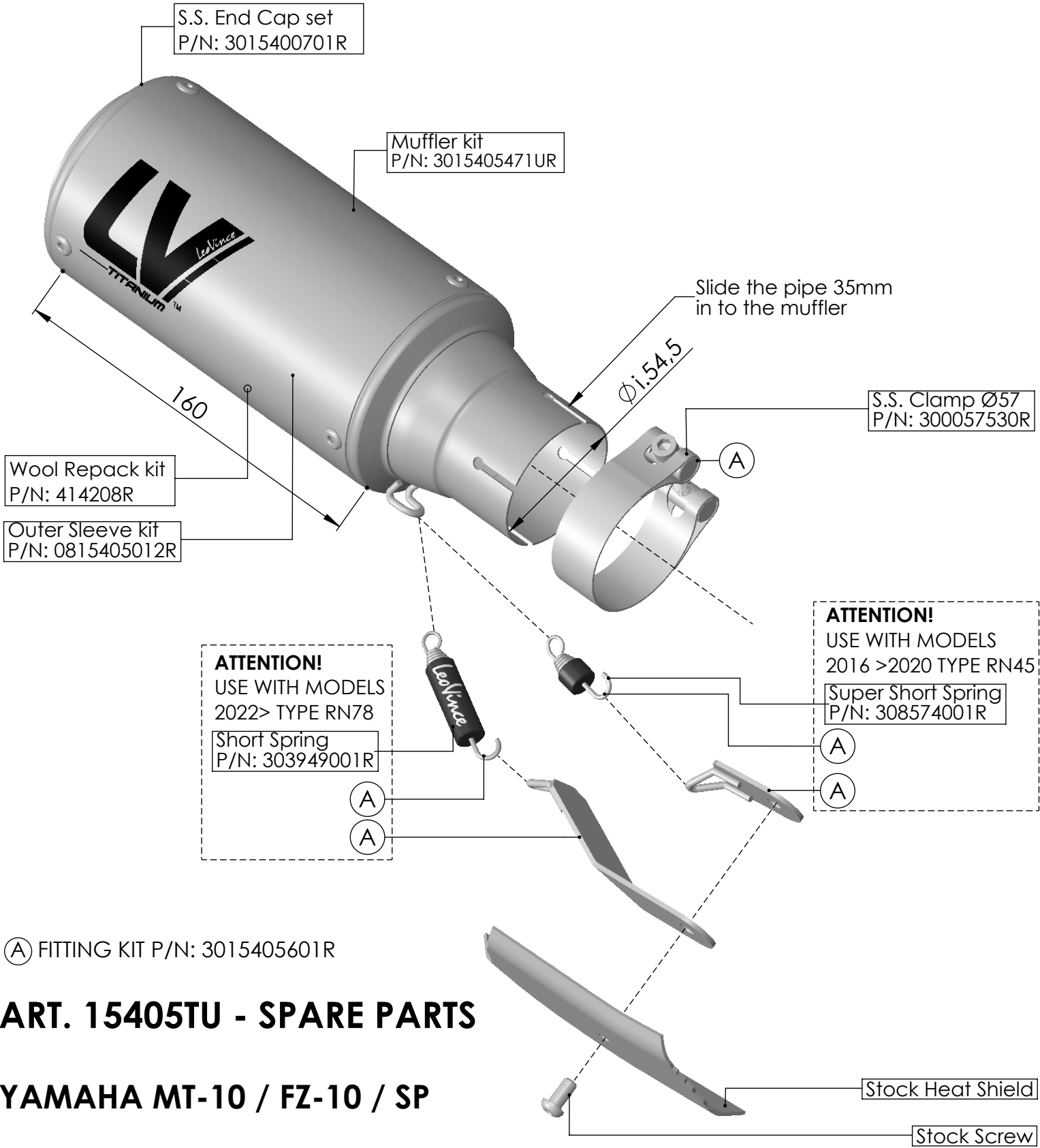
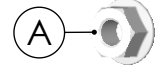
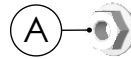


Use Flange Nuts included, with stock screws, to cover the stock bracket empty holes, after the installation of the LeoVince slip-on.



S.S. End Cap set
P/N: 3015400701R

Muffer kit
P/N: 3015405471UR

Slide the pipe 35mm
in to the muffer

S.S. Clamp Ø57
P/N: 300057530R

Wool Repack kit
P/N: 414208R

Outer Sleeve kit
P/N: 0815405012R

ATTENTION!
USE WITH MODELS
2022 > TYPE RN78
Short Spring
P/N: 303949001R

ATTENTION!
USE WITH MODELS
2016 > 2020 TYPE RN45
Super Short Spring
P/N: 308574001R

Ⓐ FITTING KIT P/N: 3015405601R

ART. 15405TU - SPARE PARTS

YAMAHA MT-10 / FZ-10 / SP

SLIP-ON - LV CORSA - TITANIUM

Stock Heat Shield

Stock Screw