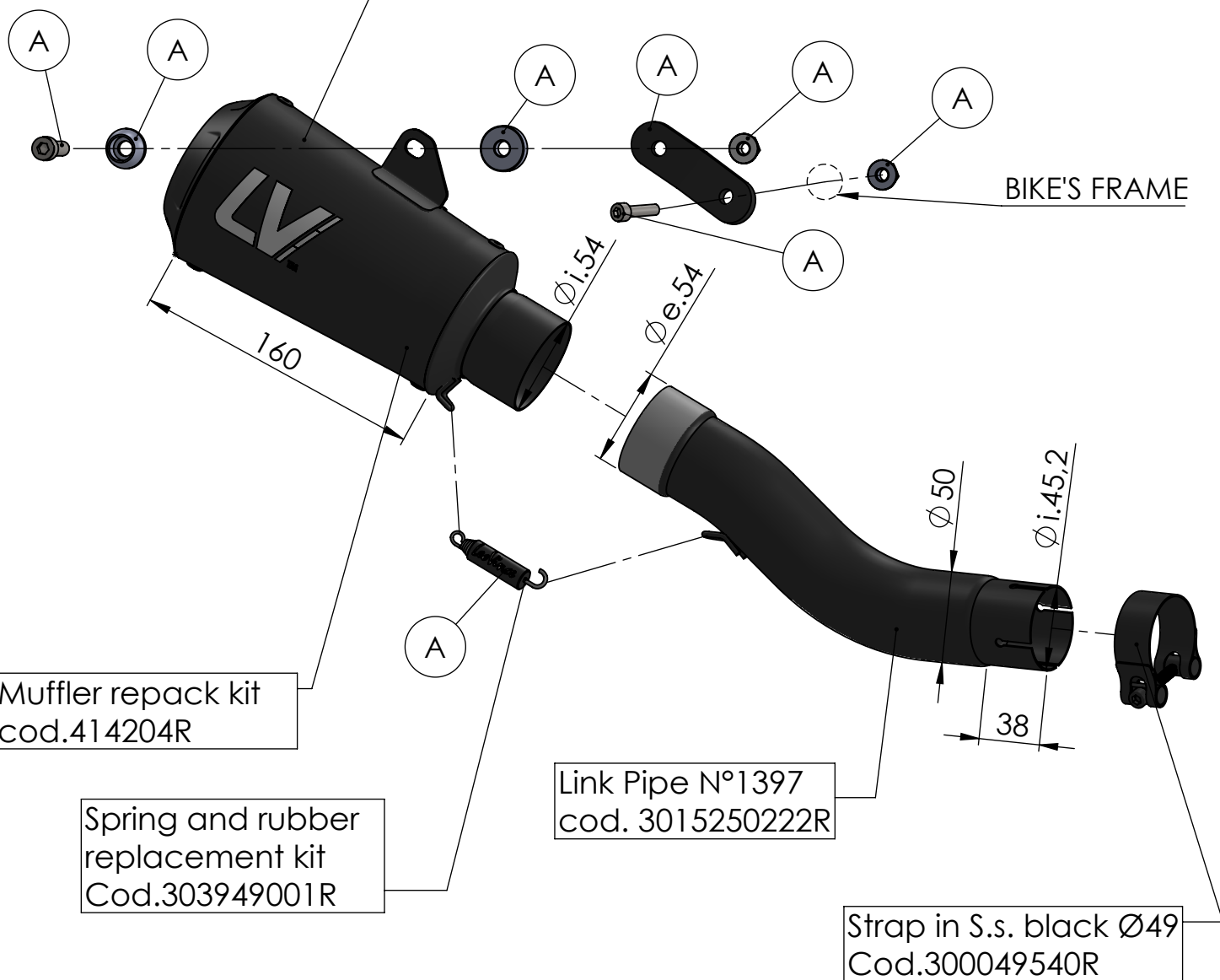


Muffler kit  
Cod.3015239410R



Muffler repack kit  
cod.414204R

Spring and rubber  
replacement kit  
Cod.303949001R

Link Pipe N°1397  
cod. 3015250222R

Strap in S.s. black  $\phi 49$   
Cod.300049540R

## ART. 15250FB - SPARE PARTS

DUCATI SCRAMBLER 800 ICON / ICON DARK / NIGHTSHIFT  
URBAN MOTARD (also fits 35kW version)

Ⓐ FITTING KIT cod.3015250602R