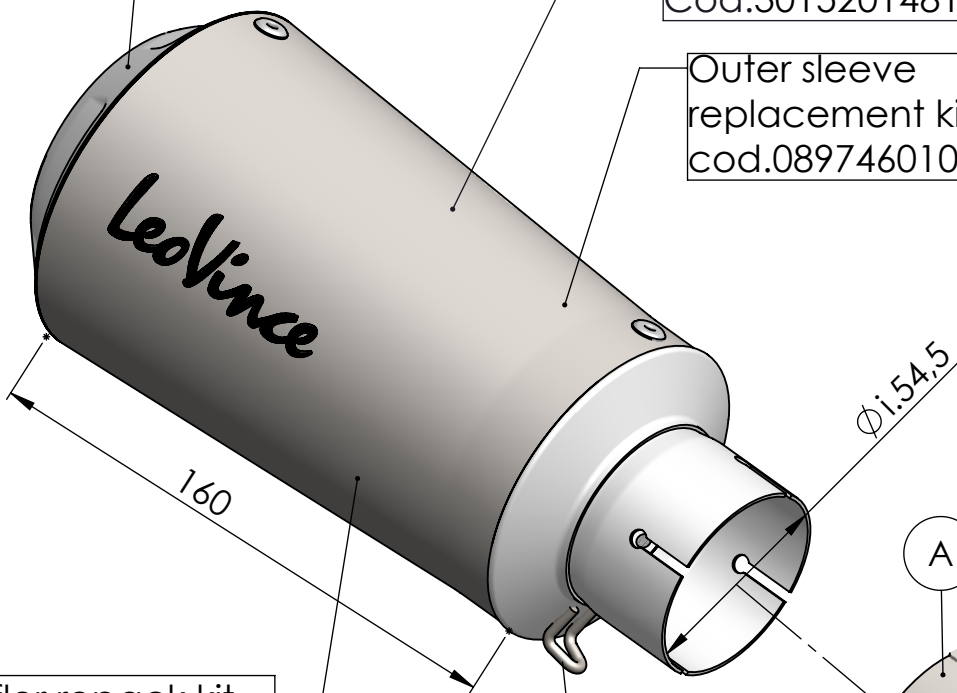
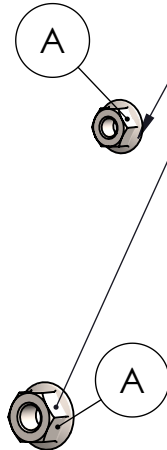


Extra nuts to be used with original bolts that mount the original exhaust hanger bracket. This will allow you to remove the original hanger bracket but re-use the bolts as to not leave empty holes once the bracket is removed.

S.s end cup set  
cod.309746701R

Muffler kit  
Cod.3015201481R

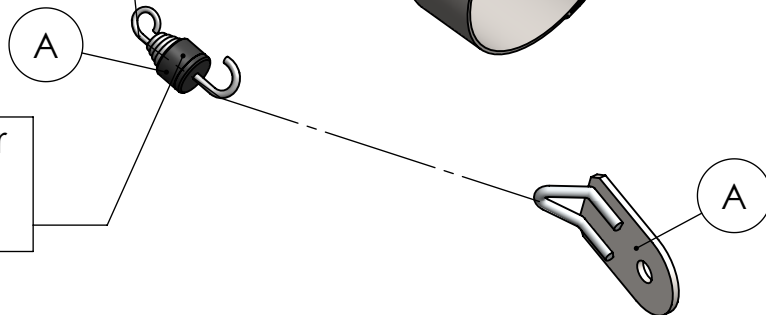
Outer sleeve  
replacement kit  
cod.089746010R



Manifold clamp  
Cod.300057530R

Muffler repack kit  
cod.414204R

Spring and rubber  
replacement kit  
Cod.308574001R



## ART. 15203 SPARE PARTS

YAMAHA MT-10/SP

(A) FITTING KIT cod.3015203601R